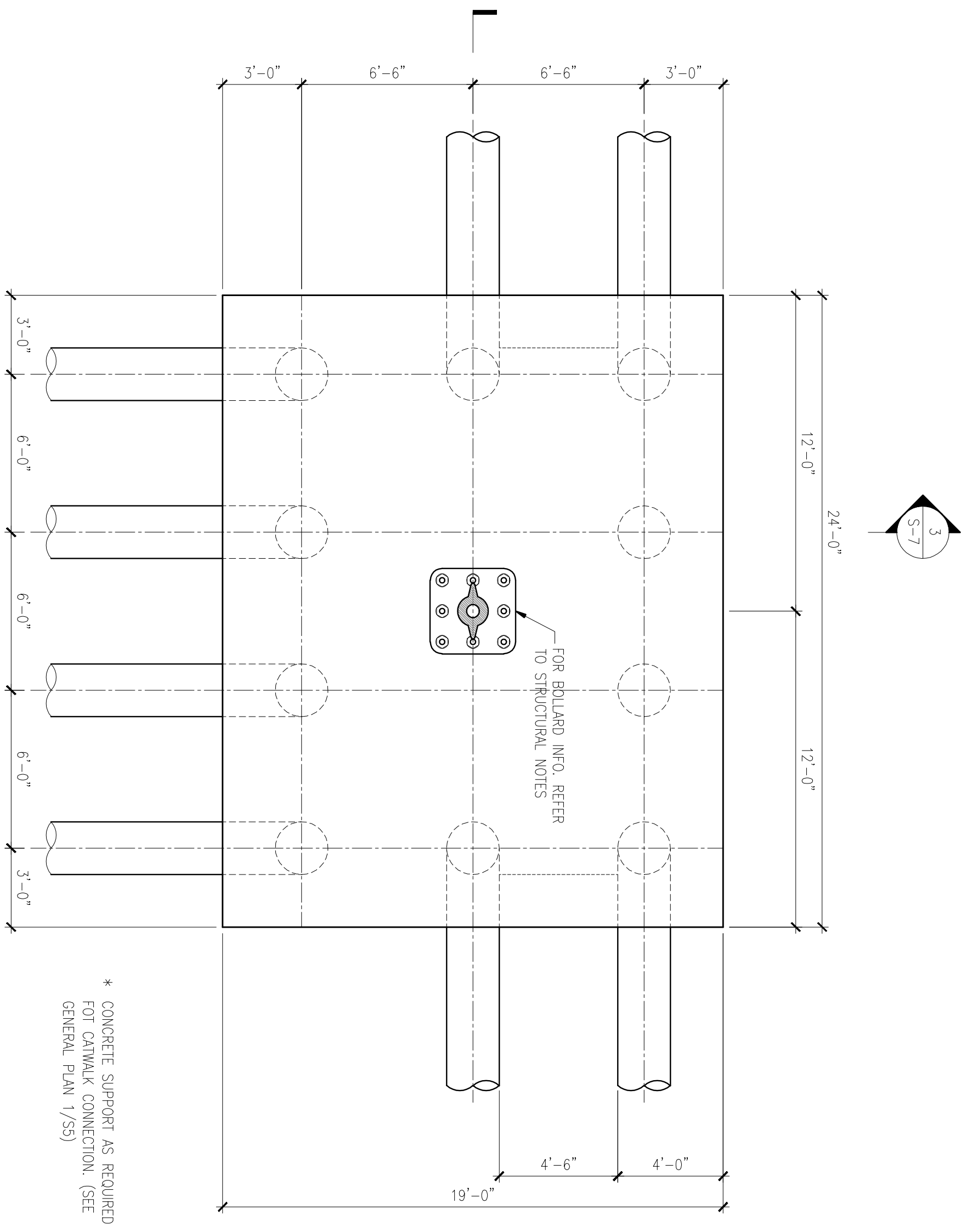
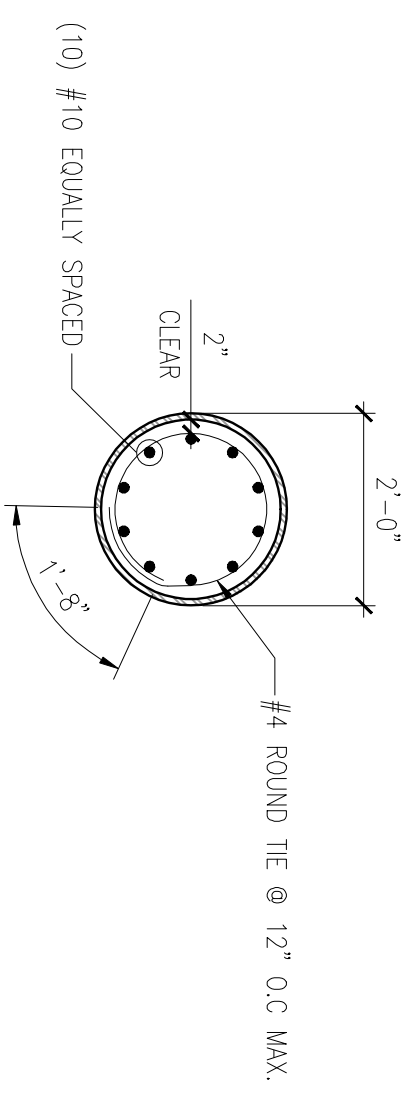


**GENERAL NOTES**  
1. REFER TO DWG. S-0 FOR GENERAL NOTES AND SPECIFICATIONS.

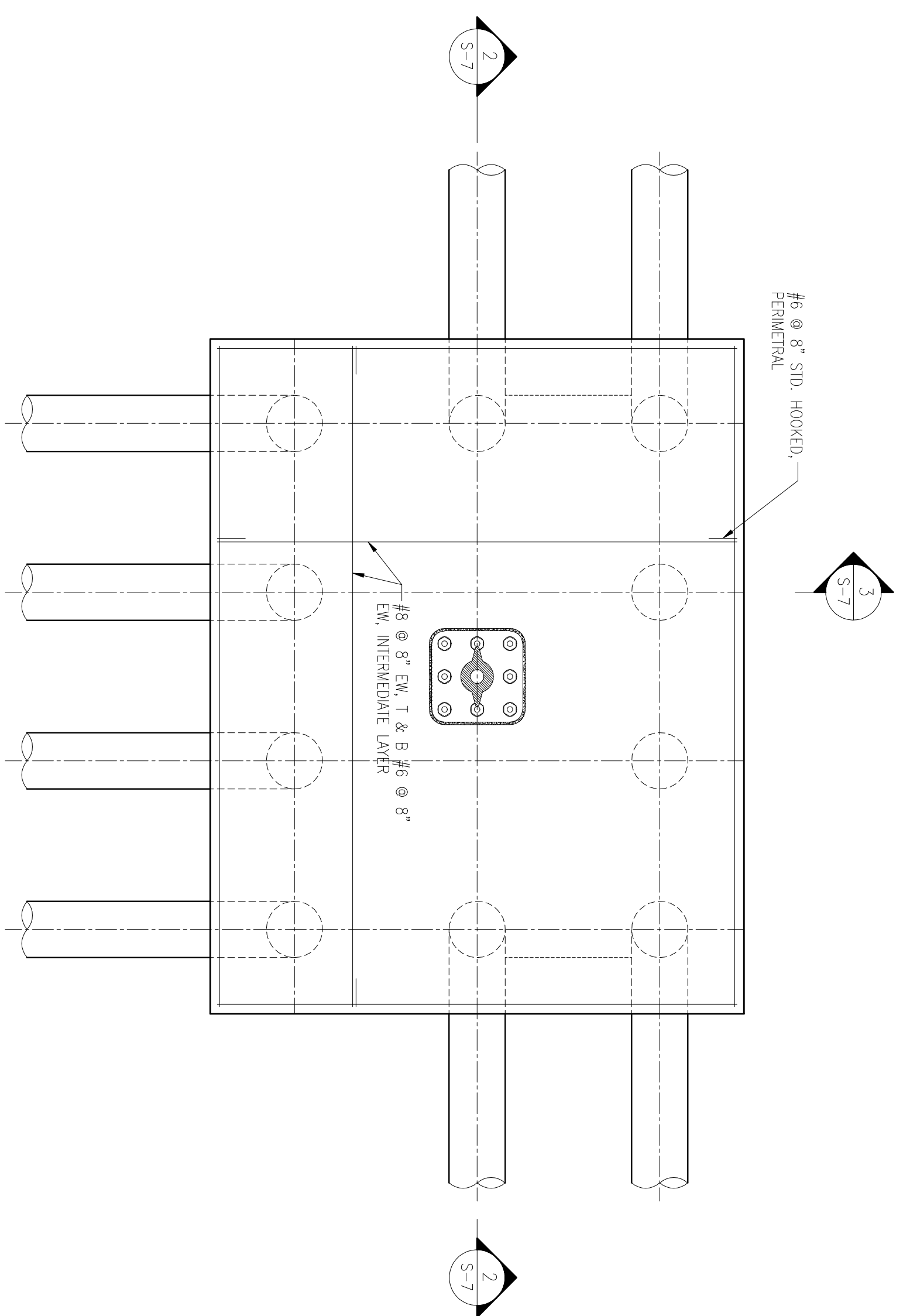
**AS BUILT**



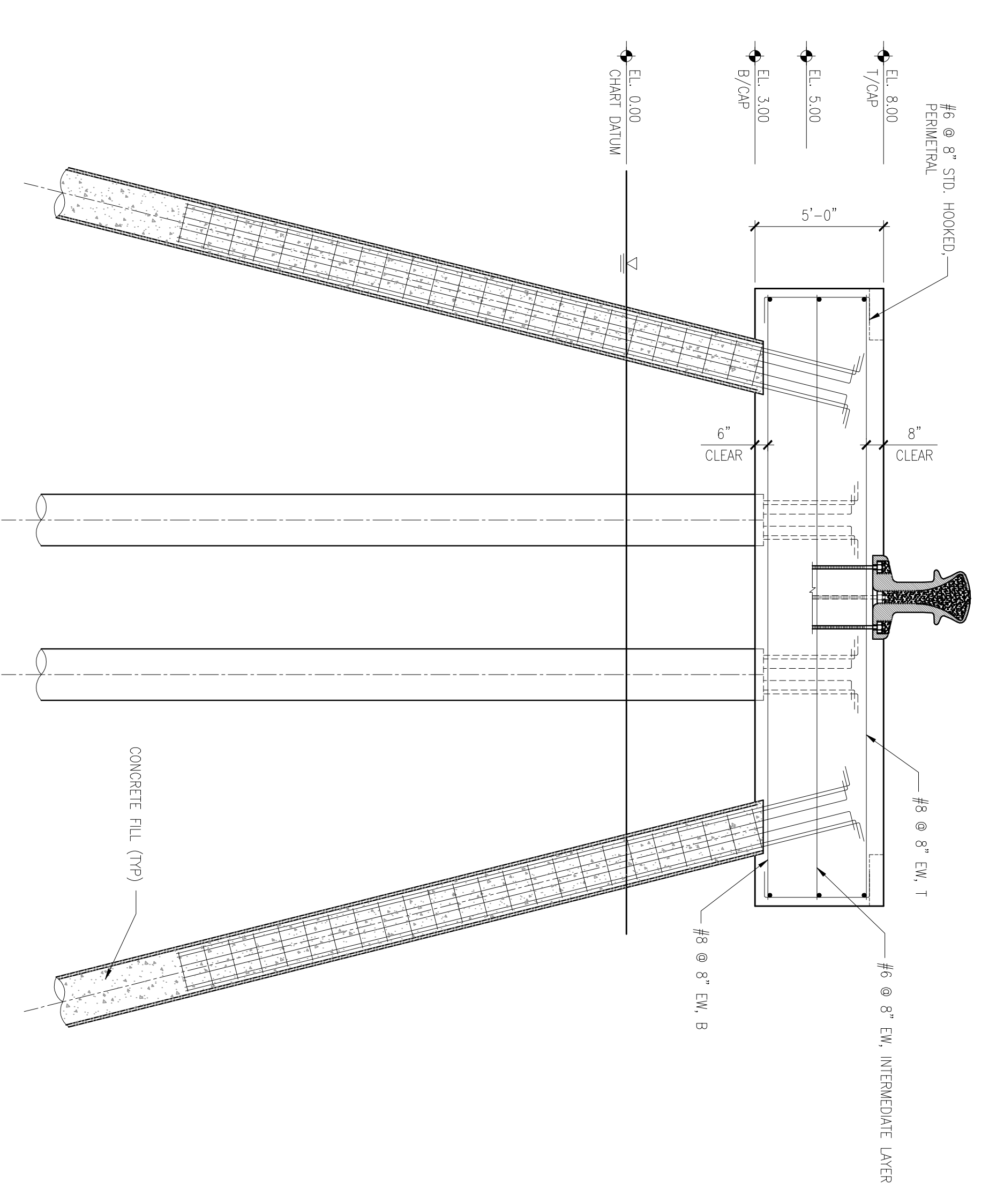
1 PLAN VIEW  
SCALE: 1/4"=1'-0"



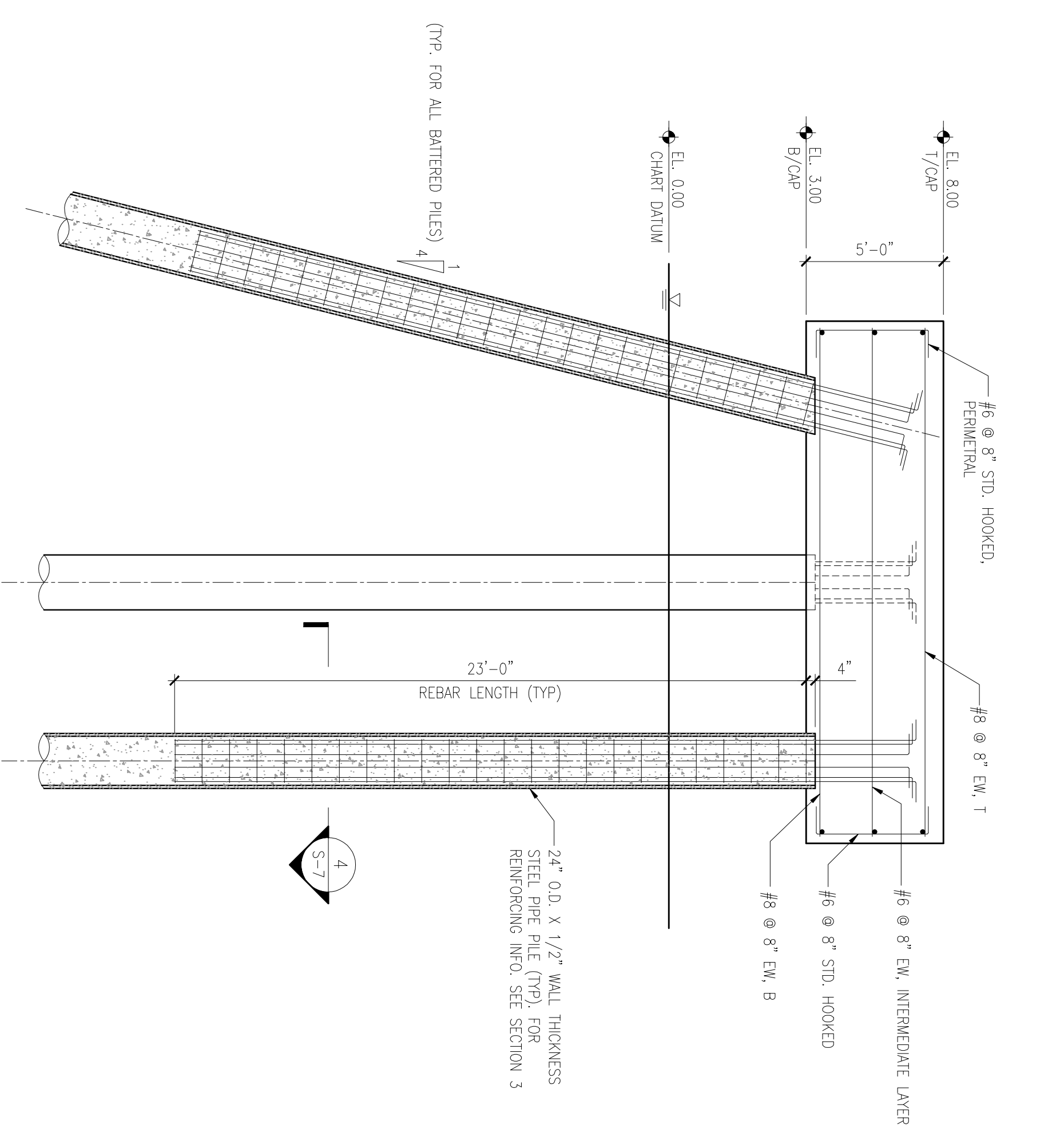
4 FILE CROSS SECTION  
SCALE: 1/2"=1'-0"



5 REINFORCING PLAN  
SCALE: 1/4"=1'-0"



2 SECTION  
SCALE: 1/2"=1'-0"



3 SECTION  
SCALE: 1/2"=1'-0"

15 SEP '08	-	NEW INSTALLATION DETAILS
30 AUG '07	-	ADJUSTED ELEVATIONS
01 MAY '07	-	ISSUED FOR BUILDING PERMIT
DATE	NO.	REVISION

designed by	DR	scale	AS SHOWN
drawn by	-	job no.	E07017
checked by	DR	drawing no.	-
approved by	-	date	March 07

CLIENT  
**WEST END DEVELOPMENT CORPORATION**

PROJECT  
**PROPOSED ROYAL NAVAL DOCKYARD CRUISE IMPROV. DOCKYARD, BERMUDDA**

TITLE  
**MOORING DOLPHIN**

**Enitech LIMITED**  
ENGINEERING / PLANNING CONSULTANTS  
P.O. BOX HM 2574 HAMILTON HMCKX BERMUDDA  
TEL: (441) 292-9192 FAX: (441) 292-9488 EMAIL: admin@enitech.lm