

1 GENERAL PLAN  
S-5 SCALE: 1"=50'-0"

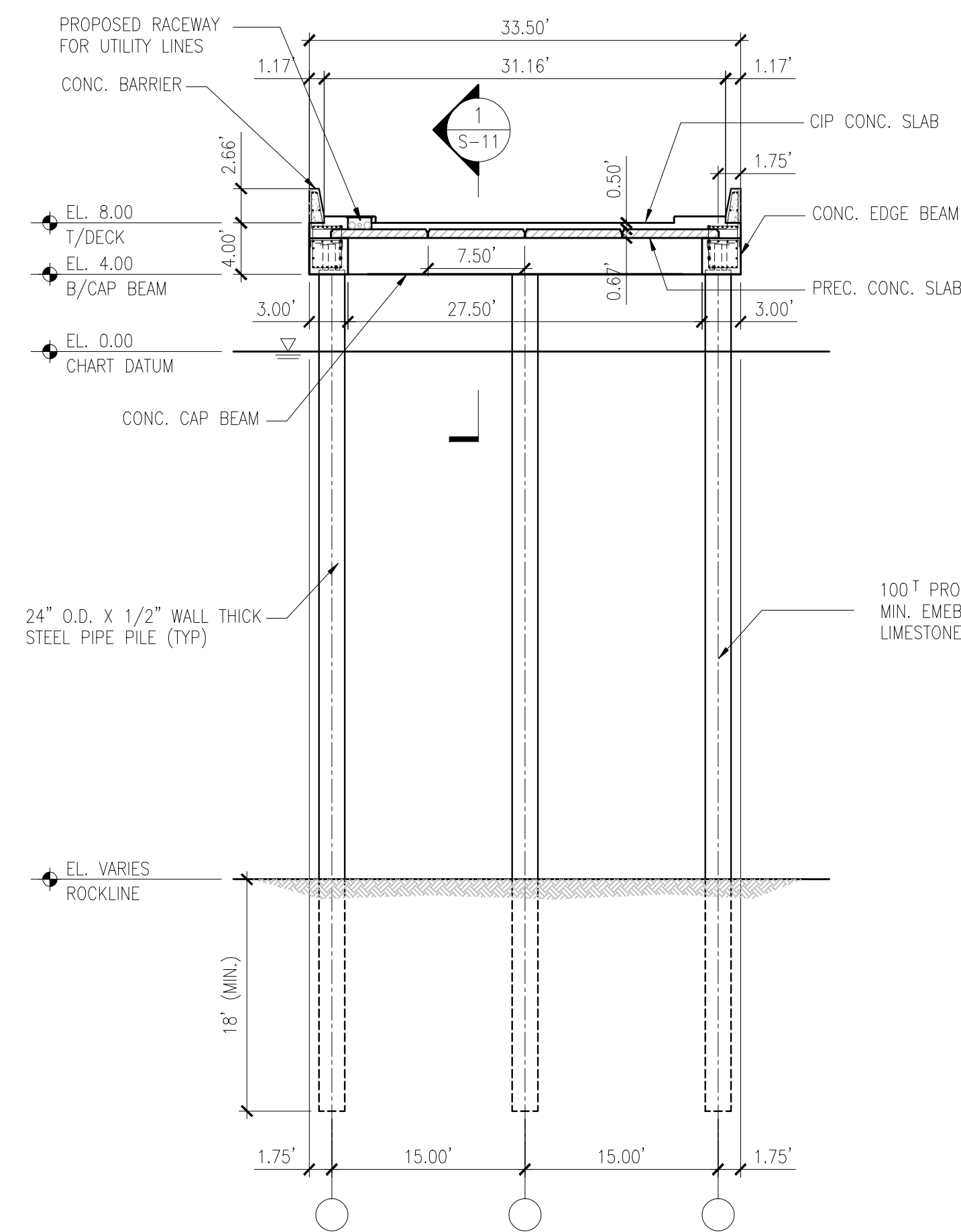
NOTE:  
1. REFER TO DWG. S-6 FOR DECK DETAILS AND PILE LAYOUT  
2. REFER TO DWG. S-2 GROUND TRANSPORTATION AREA.  
3. REFER TO DWG. S-9 FOR CATWALK DETAILS.

**AS BUILT**

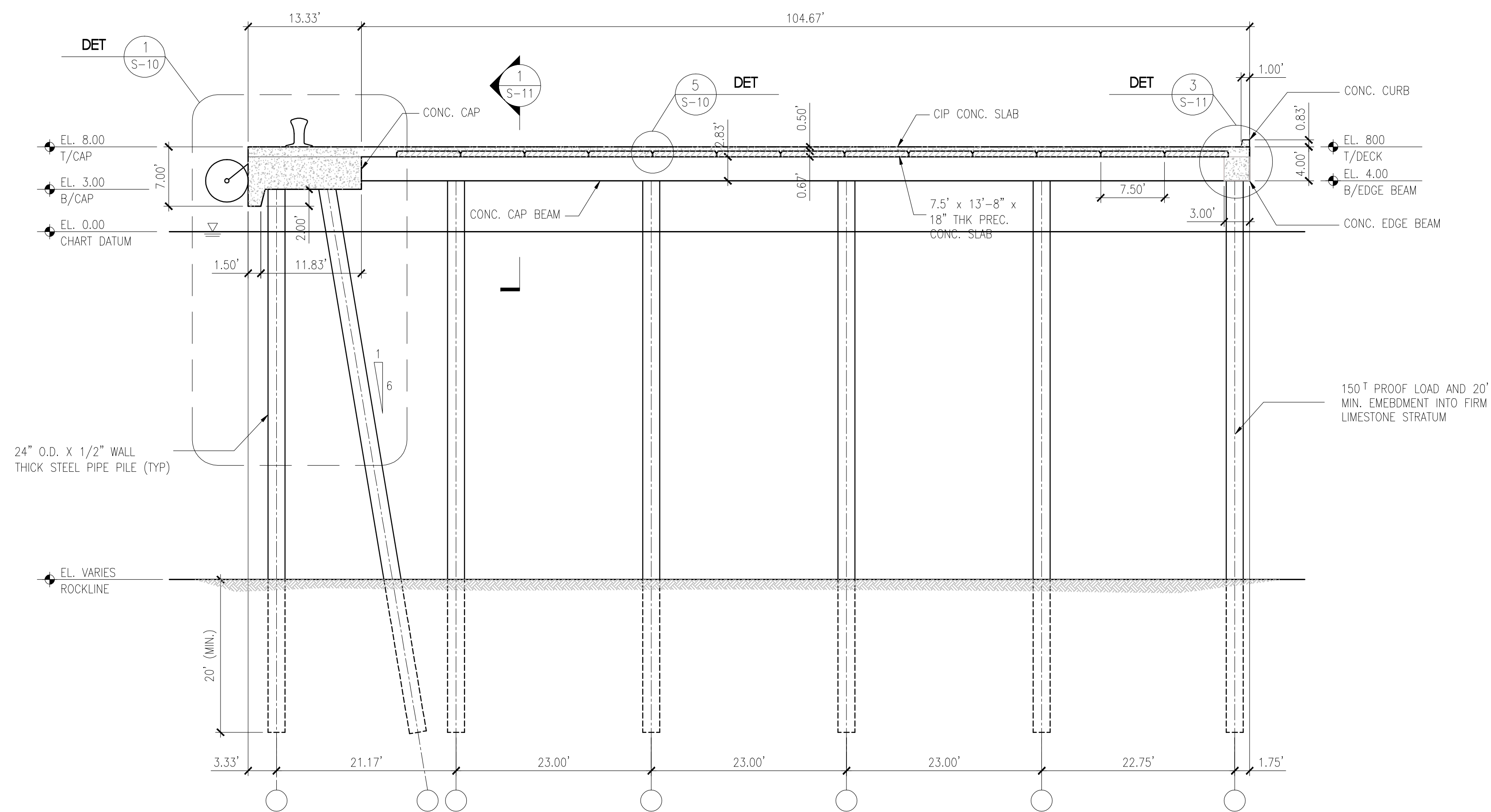
**GENERAL NOTES**  
1. REFER TO DWG. S-0 FOR GENERAL NOTES AND SPECIFICATIONS.  
2. REFER TO ARCHITECTURAL DWGS FOR DETAILS OF RAMP, GUARD RAILS, TERMINAL BUILDING, LIGHTINGS, ETC.

DATE	No.	REVISION
15.SEP.'08	-	REVISED CATWALK SUPPORT
30.NOV.'07	-	ADDED FERRY RAMP
28.AUG.'07	-	ADJUSTED ELEVATIONS
22.AUG.'07	-	ADDED SECTION/DETAIL
26.JUL.'07	-	LOCATION OF FENDER WALL
12.JUL.'07	-	REVISED NEW DOCK
20.JUN.'07	-	REVISED - NEW DOCK, GRID DIM
05.MAY.'07	-	REVISED PRECAST DETAILS
01.MAY.'07	-	ISSUED FOR BUILDING PERMIT

CONTRACTORS SHALL VERIFY ALL DIMENSIONS AND UTILITY LOCATIONS ON THE JOB SITE.



2 BRIDGE SECTION (100T PILE)  
S-5 NTS



3 PIER SECTION (150T PILE)  
S-5 NTS

designed by	DR	scale	AS SHOWN
drawn by	RP	job no.	E07017
checked by	DR	drawing no.	<b>S-5</b>
approved by	-	date	March 07

CLIENT  
**WEST END DEVELOPMENT CORPORATION**

PROJECT  
**PROPOSED ROYAL NAVAL DOCKYARD CRUISE IMPROV. DOCKYARD, BERMUDA**

TITLE  
**PIER. GENERAL PLAN & SECTIONS**



ENGINEERING / PLANNING CONSULTANTS

P.O. BOX HM 2574 HAMILTON HM-KX BERMUDA  
TEL. (441)-292-9192 FAX. (441)-292-9468 EMAIL. admin@entech.bm