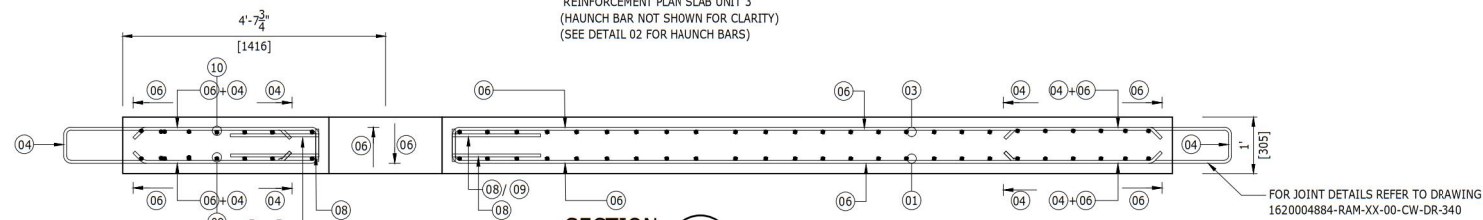


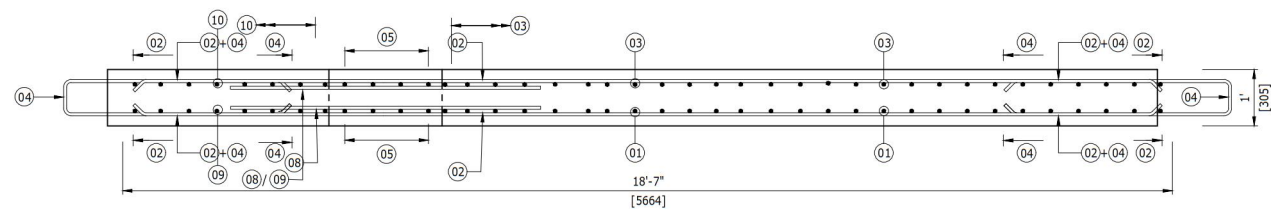
PLAN 1
1:20

REINFORCEMENT PLAN SLAB UNIT 3
(HAUNCH BAR NOT SHOWN FOR CLARITY)
(SEE DETAIL 02 FOR HAUNCH BARS)

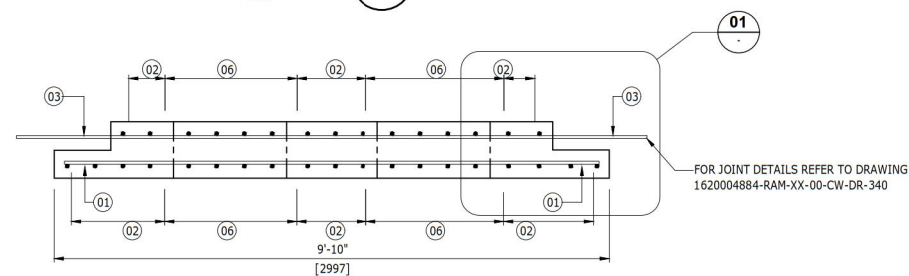


SECTION A-A
1:20

FOR JOINT DETAILS REFER TO DRAWING
1620004884-RAM-XX-00-CW-DR-340

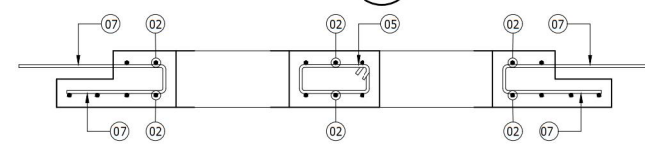


SECTION B-B
1:20



SECTION C-C
1:20

FOR JOINT DETAILS REFER TO DRAWING
1620004884-RAM-XX-00-CW-DR-340

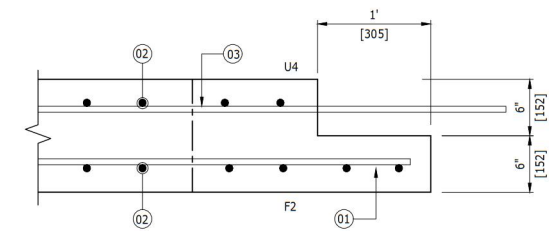


SECTION D-D
1:20

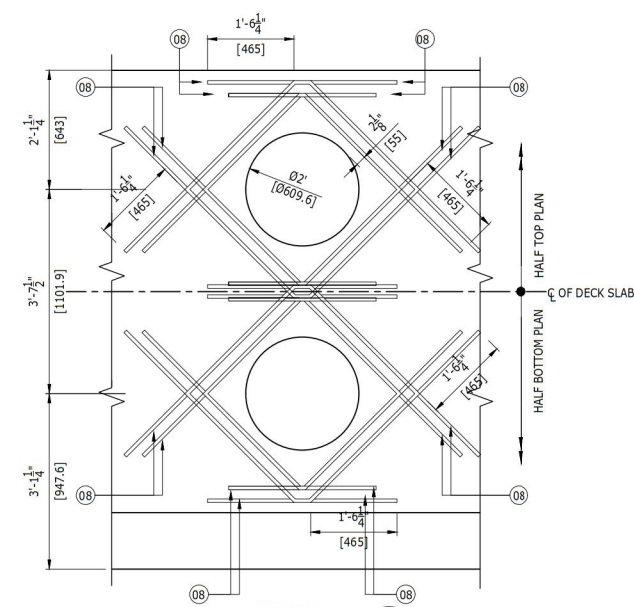
SCHEDULE OF REINFORCEMENT
(SUBJECT TO SITE CHECK)

BAR MKR.	BAR DIA.	SPACING / NO.	SHAPE	STEEL	REMARKS	
01	#6 [19mm]	6" [150mm c/c]	—	GALVANISED	SLAB TYPE 3	
02	#5 [16mm]	6" [150mm c/c]	—	GALVANISED		
03	#6 [19mm]	6" [150mm c/c]	—	STAINLESS STEEL		
04	#5 [16mm]	6" [150mm c/c]	1180 1185	STAINLESS STEEL		
05	#5 [16mm]	6" [150mm c/c]	380 383	GALVANISED		
06	#5 [16mm]	6" [150mm c/c]	VARIES	GALVANISED		
07	#6 [19mm]	6" [150mm c/c]	—	GALVANISED		
08	#6 [19mm]	8 NOS.	—	GALVANISED		3 rd LAYER
09	#6 [19mm]	6" [150mm c/c]	—	GALVANISED		SLAB TYPE 3
10	#6 [19mm]	6" [150mm c/c]	—	GALVANISED		

LEGEND:
— TOP BARS
--- BOTTOM BARS



DETAIL 1
1:10



DETAIL 2
1:20

(SHOWN ONLY HAUNCH BAR TOP & BOTTOM)

COPYRIGHT RAMBOLL UK LIMITED. ALL RIGHTS RESERVED. THIS DOCUMENT IS ISSUED FOR THE PARTY WHO COMMISSIONED IT AND FOR THE SPECIFIC PURPOSES CONNECTED WITH THE PROJECT ONLY. IT SHOULD NOT BE RELIED UPON BY ANY OTHER PARTY OR USED FOR ANY OTHER PURPOSE. RAMBOLL ACCEPTS NO RESPONSIBILITY OR LIABILITY WHICH MAY ARISE FROM RELIANCE OR USE OF THIS DOCUMENT OR THE DATA CONTAINED HEREIN BY ANY OTHER PARTY OR FOR ANY OTHER PURPOSE.

Notes

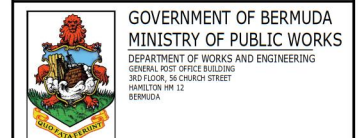
- DO NOT SCALE FROM THE DRAWING.
- ALL DRAWINGS SHOULD BE READ IN CONJUNCTION WITH OTHER RELEVANT ARCHITECTURAL, STRUCTURAL, MECHANICAL AND ELECTRICAL DRAWINGS AND ALL RELEVANT SECTIONS OF THE SPECIFICATION. ANY DISCREPANCIES ARE TO BE BROUGHT TO THE ATTENTION OF THE ENGINEER AND RESOLVED BEFORE COMMENCEMENT OF ANY WORK.
- REINFORCEMENT SHALL BE GRADE 60 TO ASTM A615 AND HOT DIP GALVANISED UNLESS NOTED OTHERWISE. STAINLESS STEEL REINFORCEMENT WHERE USED SHALL BE GRADE 75.
- CONCRETE SHALL BE GRADE M50 TO ACI 318 - REFER TO THE PROJECT SPECIFICATION FOR DETAILS
- NOMINAL COVER TO ALL FACES OF SLABS
50 + Δc = 55mm
2" + Δc = 2 - 3/16"
- PROTRUDING U-BARS SHALL BE POSITIONED IN AN ALTERNATING FASHION TO AVOID CLASHES WITH BARS PROTRUDING FROM ADJACENT SLABS AND TRANSVERSE BEAMS.
- FOR CONCRETE FINISH PLEASE REFER TO SPECIFICATION FOR HIGHWAYS WORKS SERIES 1700 STRUCTURAL CONCRETE STANDARD SUB CLAUSE 1708-4 FOR FINISHES TYPES:

EXPOSED FACES OF TRANSVERSE BEAM - F4
BOTTOM FACE OF PRECAST SLABS - F2
TOP FACE OF PRECAST SLABS - U4
EXPOSED FACES OF INSITU CONCRETE - U4
- HOLES IN SLAB TO SUIT MCS-288 COVER BY J.R. HOE OR SIMILAR APPROVED. COVER TO BE SUPPLIED WITH FIXED BAR GRATING AND RATED H-20 FOR VEHICLE LOADING. COVER AND GRATING TO BE SUPPLIED BY PRECAST SUPPLIER. GRATING TO BE INSTALLED BY THE CONTRACTOR

R01	FOR TENDER	13/07/2018	CDW	JC
Rev	Description	Date	By	App

FOR TENDER

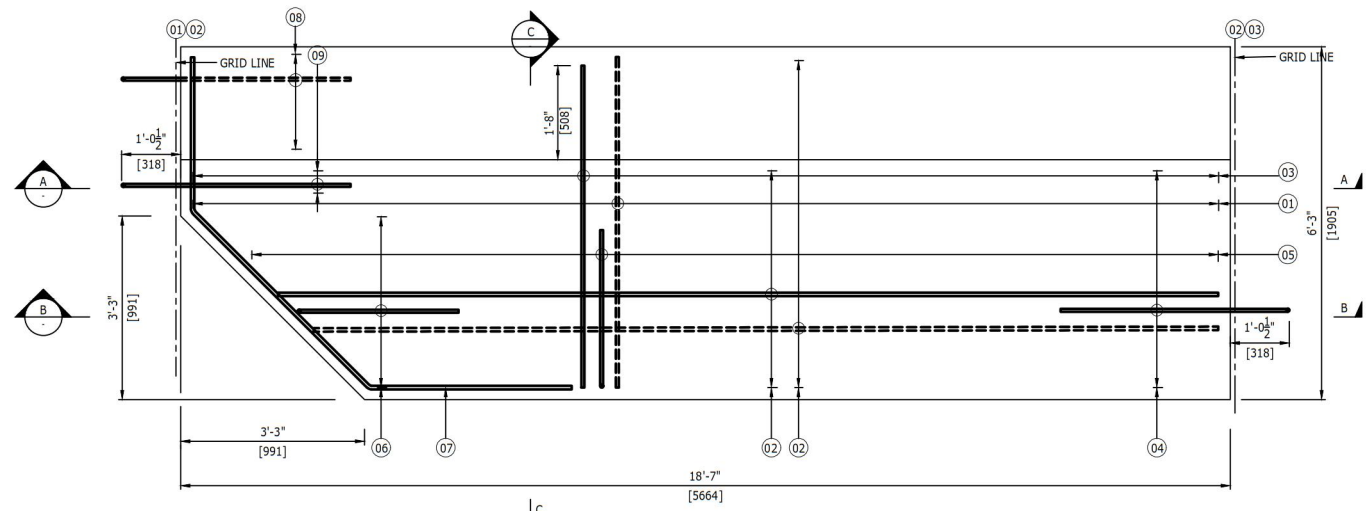
**KINGS WHARF REHABILITATION
BERMUDA
61-53-79-04**



tel 020 7631 5291 fax 020 7323 4645 london@ramboll.co.uk
www.ramboll.co.uk

**SLAB UNIT TYPE 3
REINFORCEMENT**

Project No:	Scale (@A1):	Drawn:	Date:
1620004884	AS NOTED	RVSR	JULY 18
Drawing No:	-RAM-XX-00-DR-CW-0312		Rev:
			R01



PLAN
1
1:20
REINFORCEMENT PLAN SLAB UNIT 4

SCHEDULE OF REINFORCEMENT
(SUBJECT TO SITE CHECK)

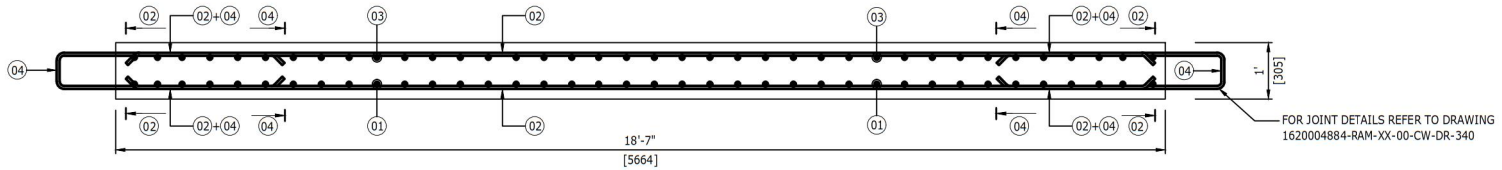
BAR MRK.	BAR DIA.	SPACING / NO.	SHAPE	SHAPE	REMARKS
01	#6 [19mm]	6" [150mm c/c]		GALVANISED	SLAB TYPE 2
02	#5 [16mm]	6" [150mm c/c]		GALVANISED	
03	#6 [19mm]	6" [150mm c/c]		STAINLESS	
04	#5 [16mm]	6" [150mm c/c]		STAINLESS	
05	#4 [13mm]	6" [150mm c/c]		GALVANISED	
06	#5 [16mm]	6" [150mm c/c]		GALVANISED	
07	#6 [19mm]	2 NOS		STAINLESS	
08	#7 [22mm]	6" [150mm c/c]		STAINLESS	
09	#7 [22mm]	6" [150mm c/c]		STAINLESS	

LEGEND:

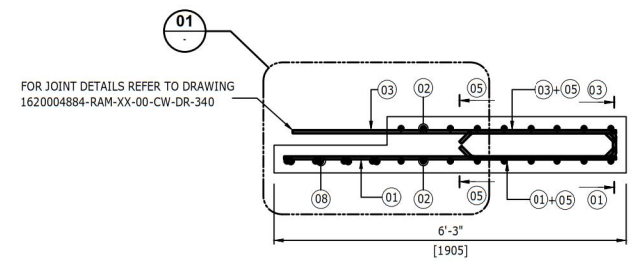
- TOP BARS
- BOTTOM BARS
- STAGG. ALT. STAGGERED ALTERNATE

- Notes
- DO NOT SCALE FROM THE DRAWING.
 - ALL DRAWINGS SHOULD BE READ IN CONJUNCTION WITH OTHER RELEVANT ARCHITECTURAL, STRUCTURAL, MECHANICAL AND ELECTRICAL DRAWINGS AND ALL RELEVANT SECTIONS OF THE SPECIFICATION. ANY DISCREPANCIES ARE TO BE BROUGHT TO THE ATTENTION OF THE ENGINEER AND RESOLVED BEFORE COMMENCEMENT OF ANY WORK.
 - REINFORCEMENT SHALL BE GRADE 60 TO ASTM A615 AND HOT DIP GALVANISED UNLESS NOTED OTHERWISE. STAINLESS STEEL REINFORCEMENT WHERE USED SHALL BE GRADE 75.
 - CONCRETE SHALL BE GRADE M50 TO ACI 318 - REFER TO THE PROJECT SPECIFICATION FOR DETAILS
 - NOMINAL COVER TO ALL FACES OF SLABS
50 + Δc = 55mm
2" + Δc = 2 - 3/16"
 - PROTRUDING U-BARS SHALL BE POSITIONED IN AN ALTERNATING FASHION TO AVOID CLASHES WITH BARS PROTRUDING FROM ADJACENT SLABS AND TRANSVERSE BEAMS.
 - FOR CONCRETE FINISH PLEASE REFER TO SPECIFICATION FOR HIGHWAYS WORKS SERIES 1700 STRUCTURAL CONCRETE STANDARD SUB CLAUSE 1708-4 FOR FINISHES TYPES:

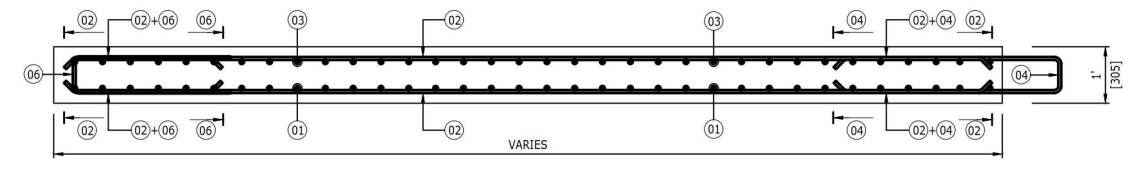
EXPOSED FACES OF TRANSVERSE BEAM - F4
BOTTOM FACE OF PRECAST SLABS - F2
TOP FACE OF PRECAST SLABS - U4
EXPOSED FACES OF INSITU CONCRETE - U4



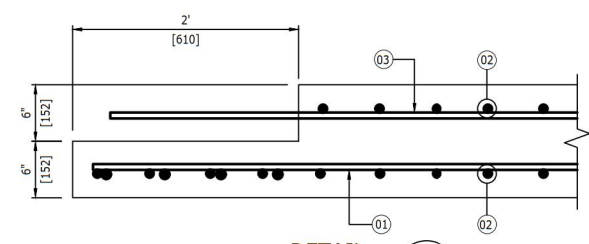
SECTION A-A
1:20



SECTION C-C
1:20



SECTION B-B
1:20

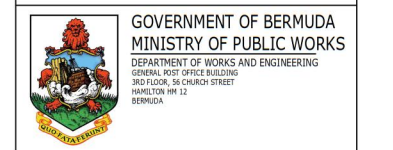


DETAIL 1
1:10

R01	FOR TENDER	13/07/2018	GDW/EL	JC
Rev	Description	Date	By	App

FOR TENDER

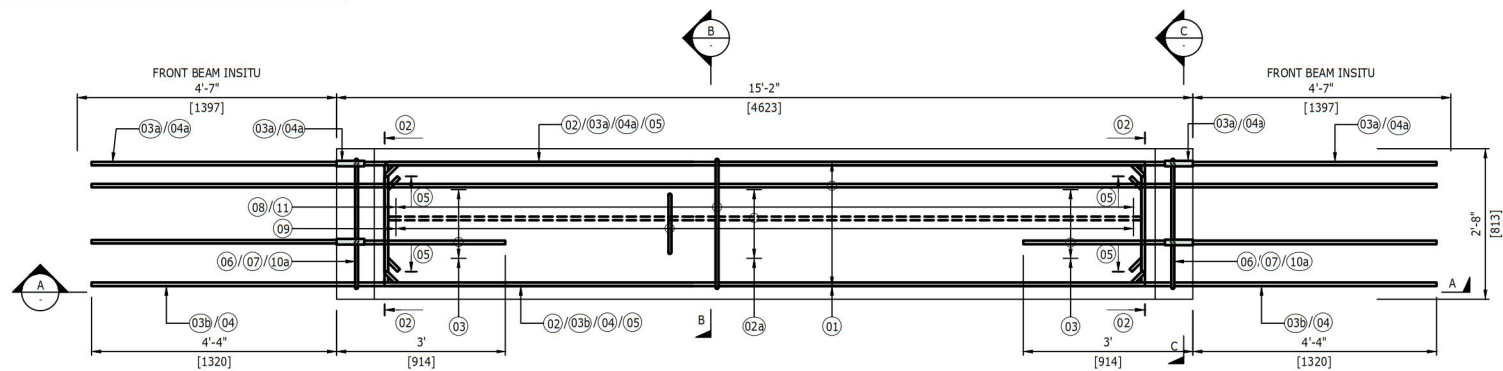
KINGS WHARF REHABILITATION
BERMUDA
61-53-79-04



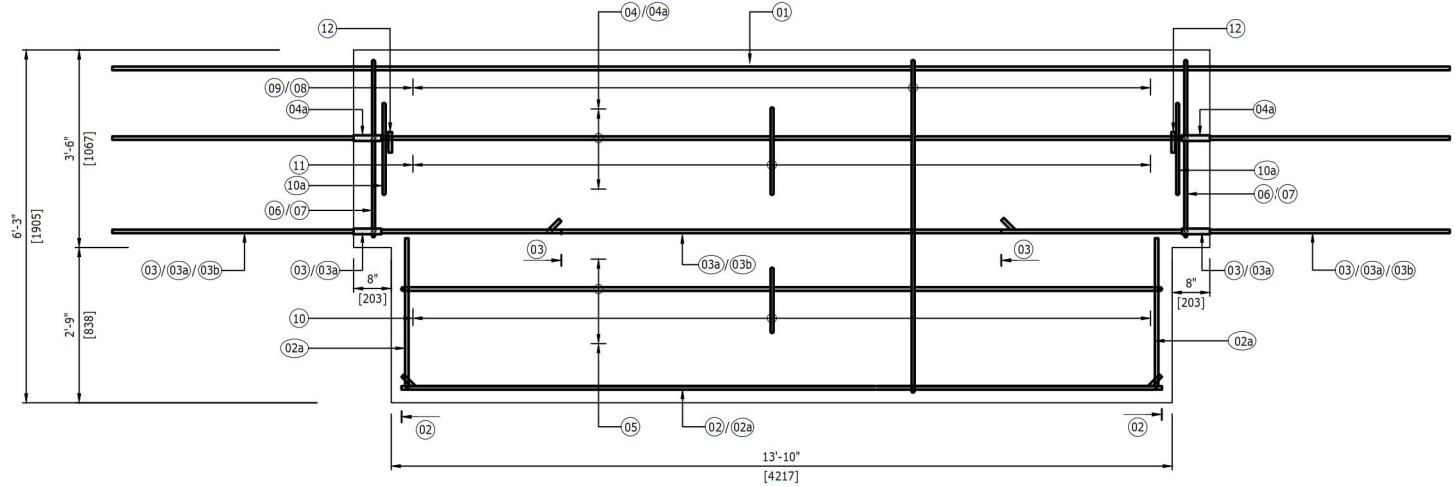
tel 020 7631 5291 fax 020 7323 4645 london@ramboll.co.uk www.ramboll.co.uk

SLAB UNIT TYPE 4 REINFORCEMENT

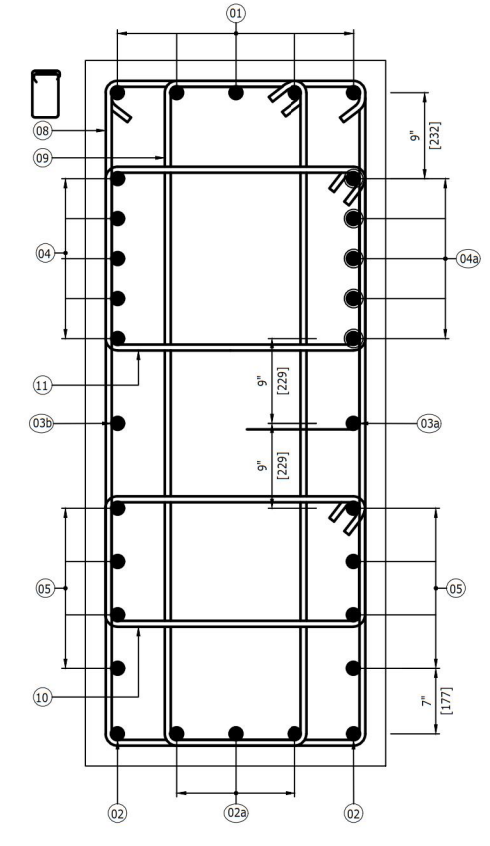
Project No:	Scale (@A1):	Drawn:	Date:
1620004884	AS NOTED	MPSH	JULY 18
Drawing No:	-RAM-XX-00-DR-CW-0313		Rev:
			R01



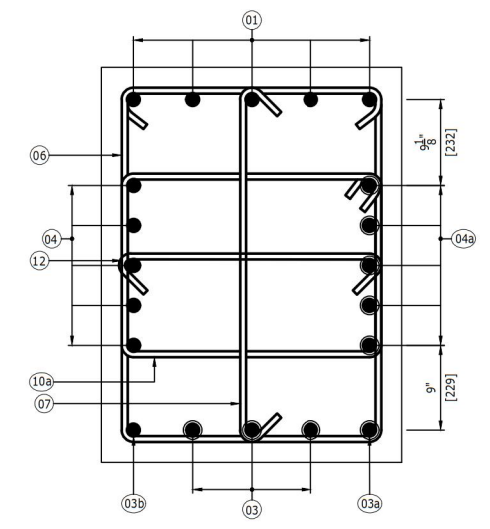
PLAN
1:20
REINFORCEMENT PLAN



SECTION A-A
1:20
(FRONT ELEVATION)



SECTION B-B
1:10



SECTION C-C
1:10

SCHEDULE OF REINFORCEMENT
(SUBJECT TO SITE CHECK)

BAR MRK.	BAR DIA.	SPACING / NO.	SHAPE	STEEL	REMARKS
01	#8 [25mm]	6" [150mm c/c]	—	STAINLESS	FRONT CAPPING BEAM TYPE 1
02	#8 [25mm]	2 NOS.	—	STAINLESS	
02a	#8 [25mm]	6" [150mm c/c]	┌	STAINLESS	
03	#10 [32mm]	6" [150mm c/c]	—	STAINLESS	
03a	#10 [32mm]	1 NO.	—	STAINLESS	
03b	#10 [32mm]	1 NO.	—	STAINLESS	
04	#10 [32mm]	5 NOS.	—	STAINLESS	
04a	#10 [32mm]	5 NOS.	—	STAINLESS	
05	#10 [32mm]	6" [150mm c/c]	┌	STAINLESS	
06	#5 [16mm]	2 NOS.	⊠ 957	STAINLESS	
07	#5 [16mm]	2 NOS.	⊠ 957	STAINLESS	
08	#5 [16mm]	8" [206mm c/c]	⊠ 1795	GALVANISED	
09	#5 [16mm]	8" [206mm c/c]	⊠ 1795	GALVANISED	
10	#5 [16mm]	8" [206mm c/c]	⊠ 1795	GALVANISED	
10a	#5 [16mm]	2 NOS.	⊠ 495	STAINLESS	
11	#5 [16mm]	8" [206mm c/c]	⊠ 495	GALVANISED	
12	#5 [16mm]	2 NOS.	┌	STAINLESS	

LEGEND:
 — TOP BARS/NEAR
 - - - - - BOTTOM BARS/FAR
 ⊠ COUPLER LOCATION

- Notes
- DO NOT SCALE FROM THE DRAWING.
 - ALL DRAWINGS SHOULD BE READ IN CONJUNCTION WITH OTHER RELEVANT ARCHITECTURAL, STRUCTURAL, MECHANICAL AND ELECTRICAL DRAWINGS AND ALL RELEVANT SECTIONS OF THE SPECIFICATION. ANY DISCREPANCIES ARE TO BE BROUGHT TO THE ATTENTION OF THE ENGINEER AND RESOLVED BEFORE COMMENCEMENT OF ANY WORK.
 - REINFORCEMENT SHALL BE GRADE 60 TO ASTM A615 AND HOT DIP GALVANISED UNLESS NOTED OTHERWISE. STAINLESS STEEL REINFORCEMENT WHERE USED SHALL BE GRADE 75.
 - CONCRETE SHALL BE GRADE M50 TO ACI 318 - REFER TO THE PROJECT SPECIFICATION FOR DETAILS
 - NOMINAL COVER TO ALL FACES OF BEAM : 50+3c = 55mm : 2"+3c=2-3/16"
 - FOR CONCRETE FINISH PLEASE REFER TO SPECIFICATION FOR HIGHWAYS WORKS SERIES 1700 STRUCTURAL CONCRETE STANDARD SUB CLAUSE 1708-4 FOR FINISHES TYPES:
 EXPOSED FACES OF TRANSVERSE BEAM - F4
 BOTTOM FACE OF PRECAST SLABS - F2
 TOP FACE OF PRECAST SLABS - U4
 EXPOSED FACES OF INSITU CONCRETE - U4

R01 FOR TENDER	1307 2018	JDW EL	JC
Rev Description	Date	By Chk	App

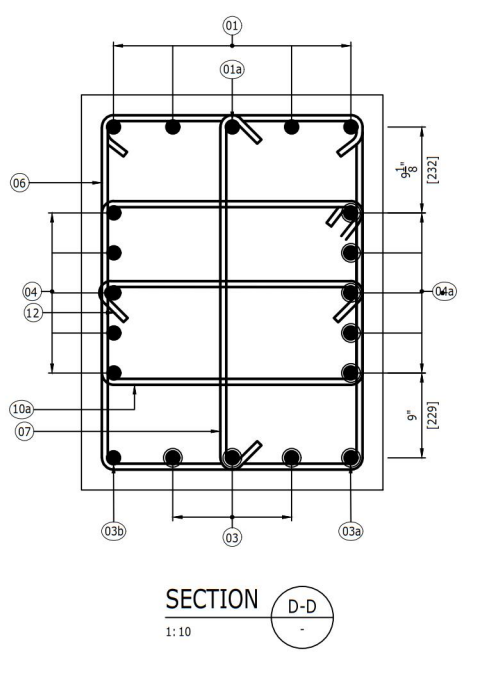
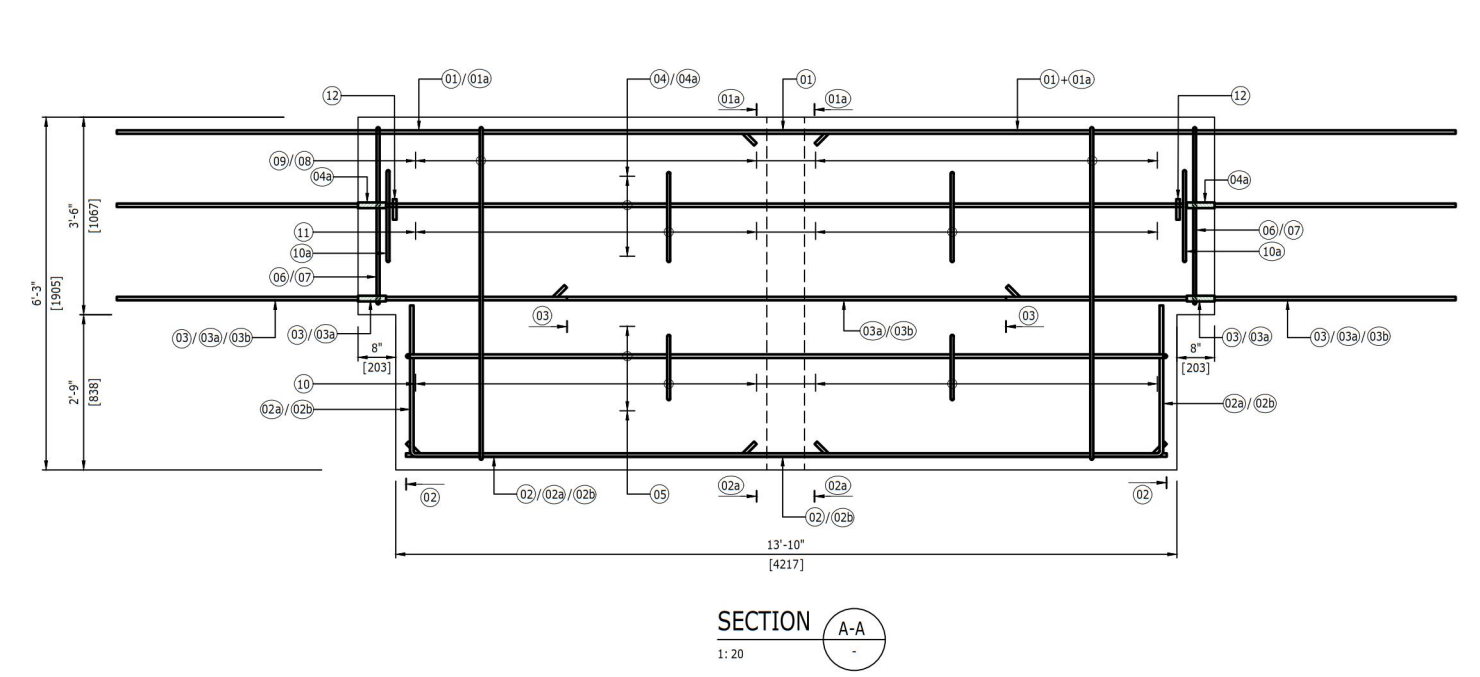
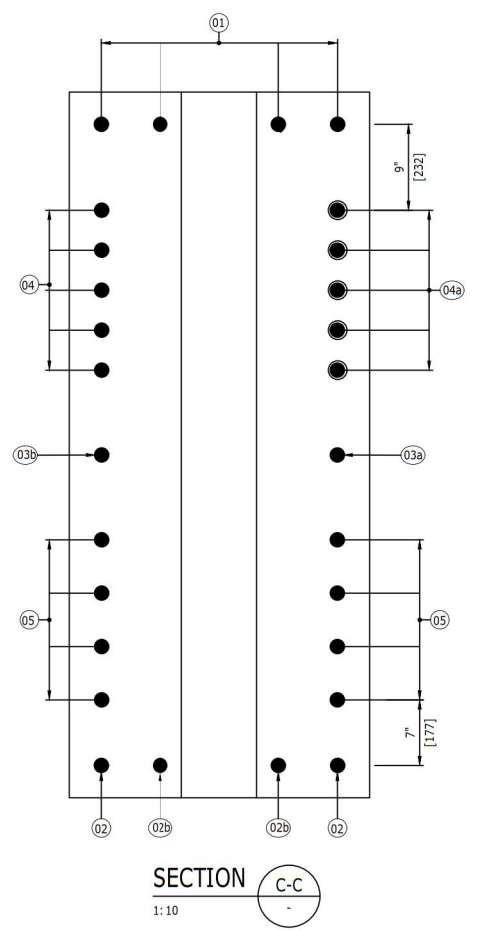
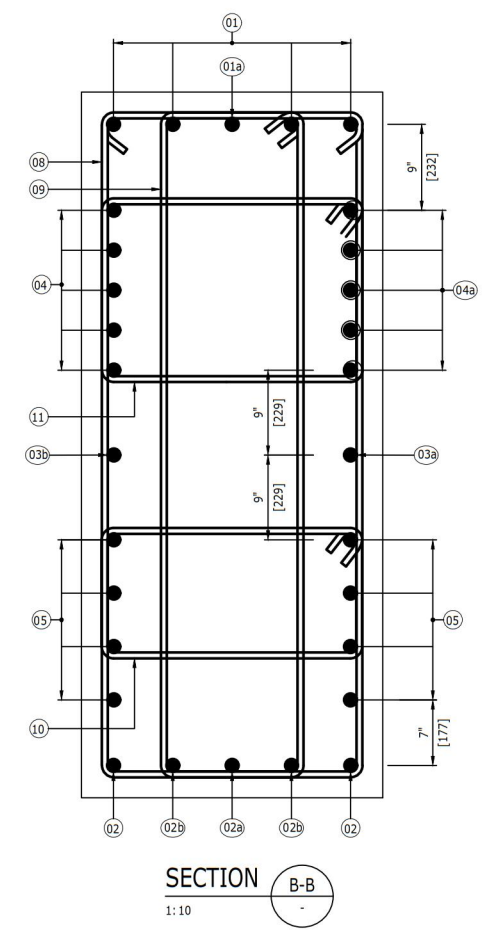
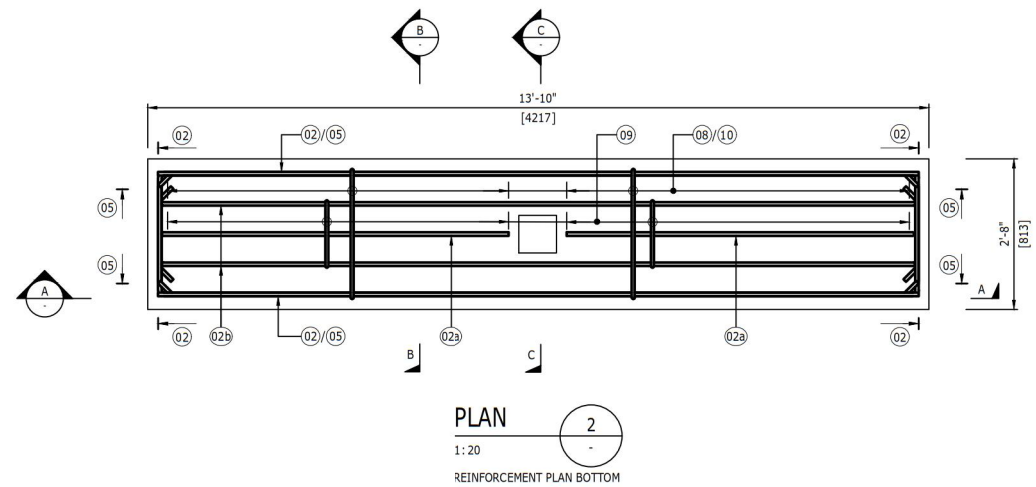
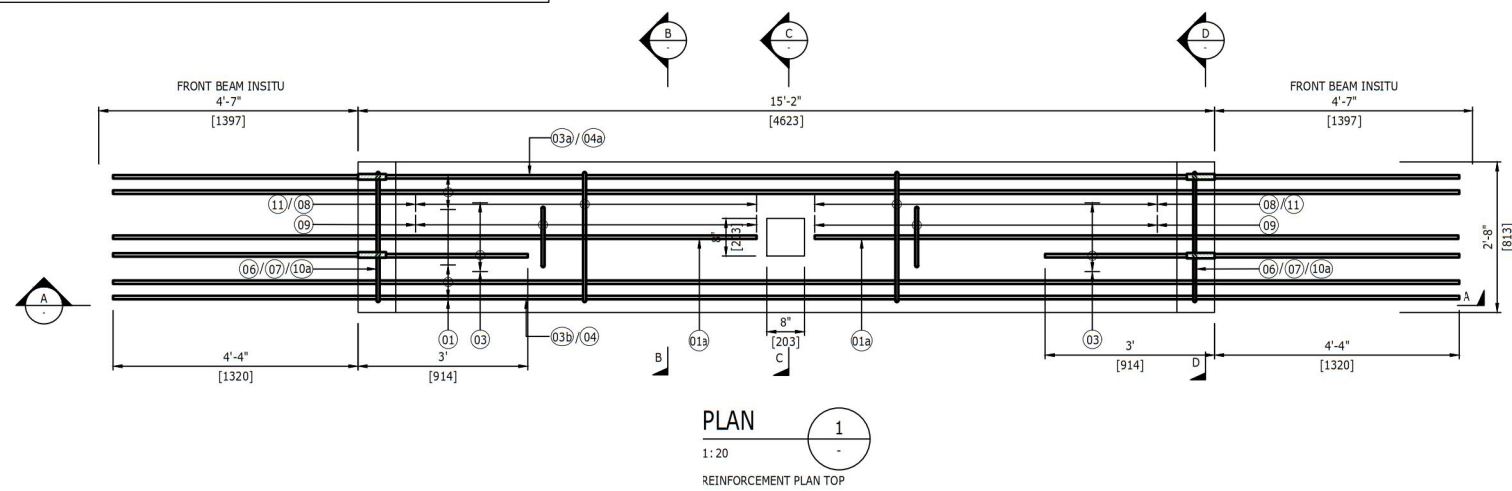
FOR TENDER
 KINGS WHARF REHABILITATION
 BERMUDA
 61-53-79-04



tel 020 7631 5291 fax 020 7323 4645 london@ramboll.co.uk
 www.ramboll.co.uk

FRONT CAPPING BEAM
 TYPE 1
 REINFORCEMENT

Project No: 1620004884	Scale (@A1): AS NOTED	Drawn: RVSR	Date: JULY 18
Drawing No: -RAM-XX-00-DR-CW-0320	Rev: R01		



SCHEDULE OF REINFORCEMENT
(SUBJECT TO SITE CHECK)

BAR MRK.	BAR DIA.	SPACING / NO.	SHAPE	STEEL	REMARKS
01	#8 [25mm]	6" [150mm c/c]	—	STAINLESS	
01a	#8 [25mm]	1 NO.(EACH SIDE)	—	STAINLESS	
02	#8 [25mm]	2 NOS.	┌	STAINLESS	
02a	#8 [25mm]	1 NO.(EACH SIDE)	┌	STAINLESS	
02b	#8 [25mm]	2 NOS.	┌	STAINLESS	
03	#10 [32mm]	6" [150mm c/c]	—	STAINLESS	
03a	#10 [32mm]	1 NO.	—	STAINLESS	
03b	#10 [32mm]	1 NO.	—	STAINLESS	
04	#10 [32mm]	5 NOS.	—	STAINLESS	
04a	#10 [32mm]	5 NOS.	—	STAINLESS	
05	#10 [32mm]	6" [150mm c/c]	┌	STAINLESS	
06	#5 [16mm]	2 NOS.	┌	STAINLESS	
07	#5 [16mm]	2 NOS.	┌	STAINLESS	
08	#5 [16mm]	10" [250mm c/c]	┌	GALVANISED	
09	#5 [16mm]	10" [250mm c/c]	┌	GALVANISED	
10	#5 [16mm]	10" [250mm c/c]	┌	GALVANISED	
10a	#5 [16mm]	10" [250mm c/c]	┌	STAINLESS	
11	#5 [16mm]	8" [206mm c/c]	┌	GALVANISED	
12	#5 [16mm]	2 NOS.	┌	STAINLESS	

LEGEND:
○/— COUPLER LOCATION

- Notes
- DO NOT SCALE FROM THE DRAWING.
 - ALL DRAWINGS SHOULD BE READ IN CONJUNCTION WITH OTHER RELEVANT ARCHITECTURAL, STRUCTURAL, MECHANICAL AND ELECTRICAL DRAWINGS AND ALL RELEVANT SECTIONS OF THE SPECIFICATION. ANY DISCREPANCIES ARE TO BE BROUGHT TO THE ATTENTION OF THE ENGINEER AND RESOLVED BEFORE COMMENCEMENT OF ANY WORK.
 - REINFORCEMENT SHALL BE GRADE 60 TO ASTM A615 AND HOT DIP GALVANISED UNLESS NOTED OTHERWISE. STAINLESS STEEL REINFORCEMENT WHERE USED SHALL BE GRADE 75.
 - CONCRETE SHALL BE GRADE M50 TO ACI 318 - REFER TO THE PROJECT SPECIFICATION FOR DETAILS
 - NOMINAL COVER TO ALL FACES OF BEAM : 50+3c = 55mm : 2"+3c=2-3/16"
 - FOR CONCRETE FINISH PLEASE REFER TO SPECIFICATION FOR HIGHWAYS WORKS SERIES 1700 STRUCTURAL CONCRETE STANDARD SUB CLAUSE 1708-4 FOR FINISHES TYPES:
EXPOSED FACES OF TRANSVERSE BEAM - F4
BOTTOM FACE OF PRECAST SLABS - F2
TOP FACE OF PRECAST SLABS - U4
EXPOSED FACES OF INSITU CONCRETE - U4

R01 FOR TENDER	13/07/2018	GDW/JC
Rev Description	Date	By/Chk App

FOR TENDER
KINGS WHARF REHABILITATION
BERMUDA
61-53-79-04

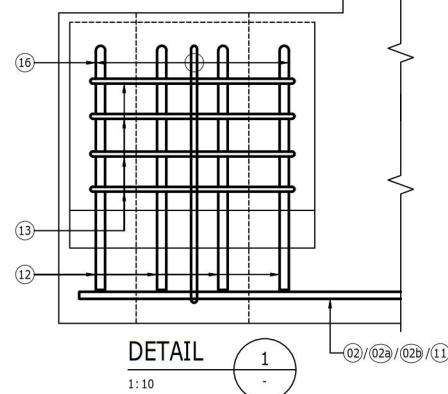
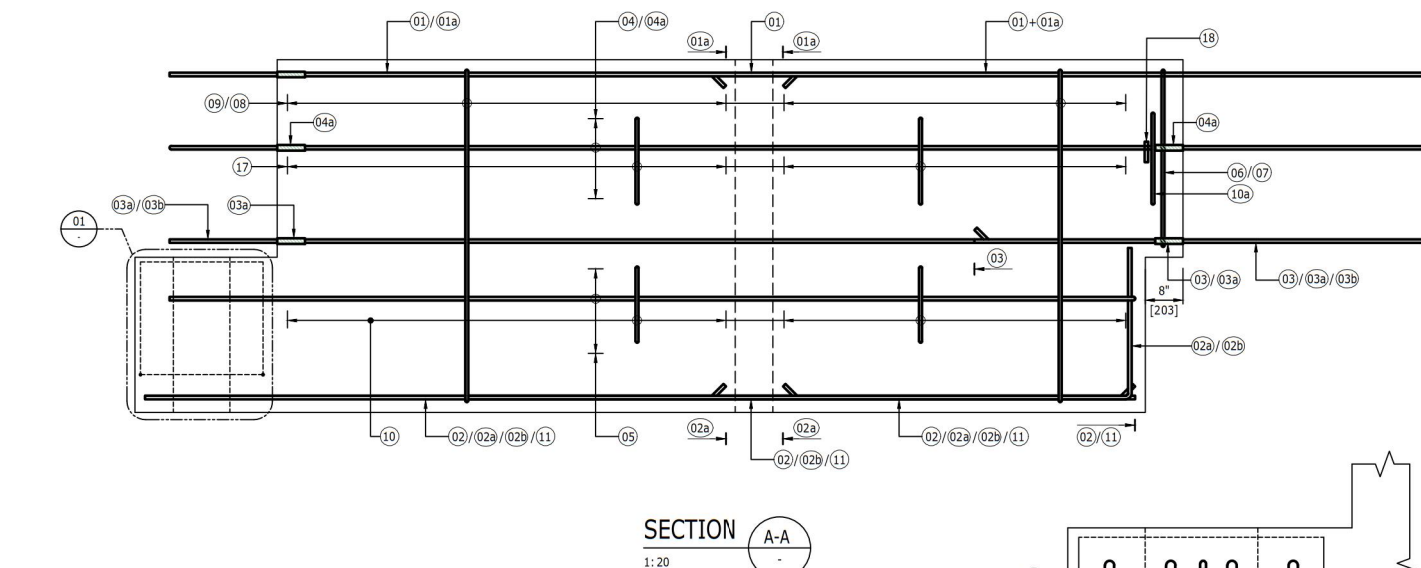
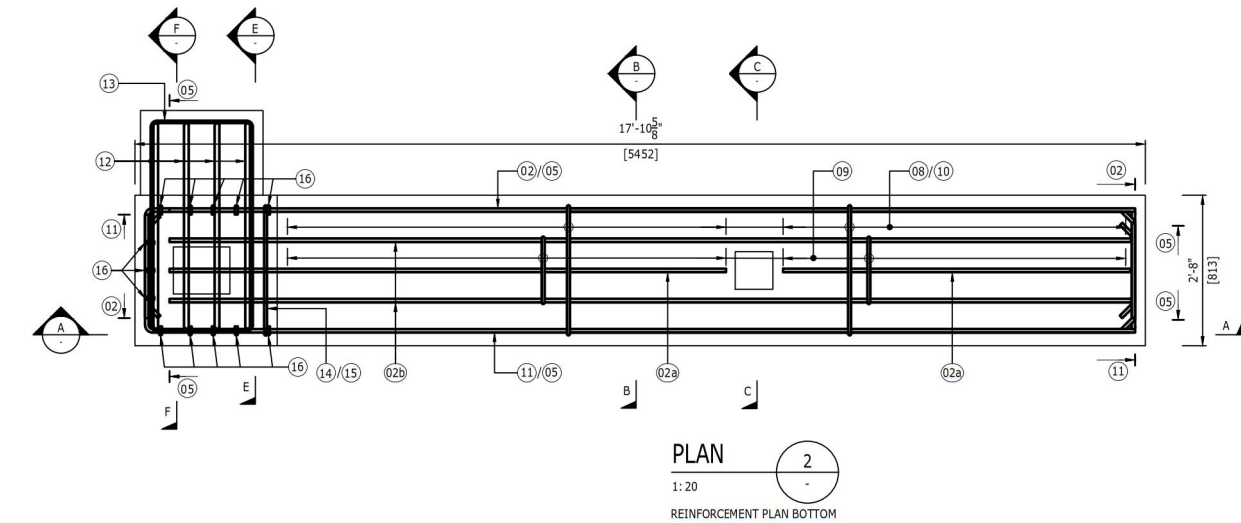
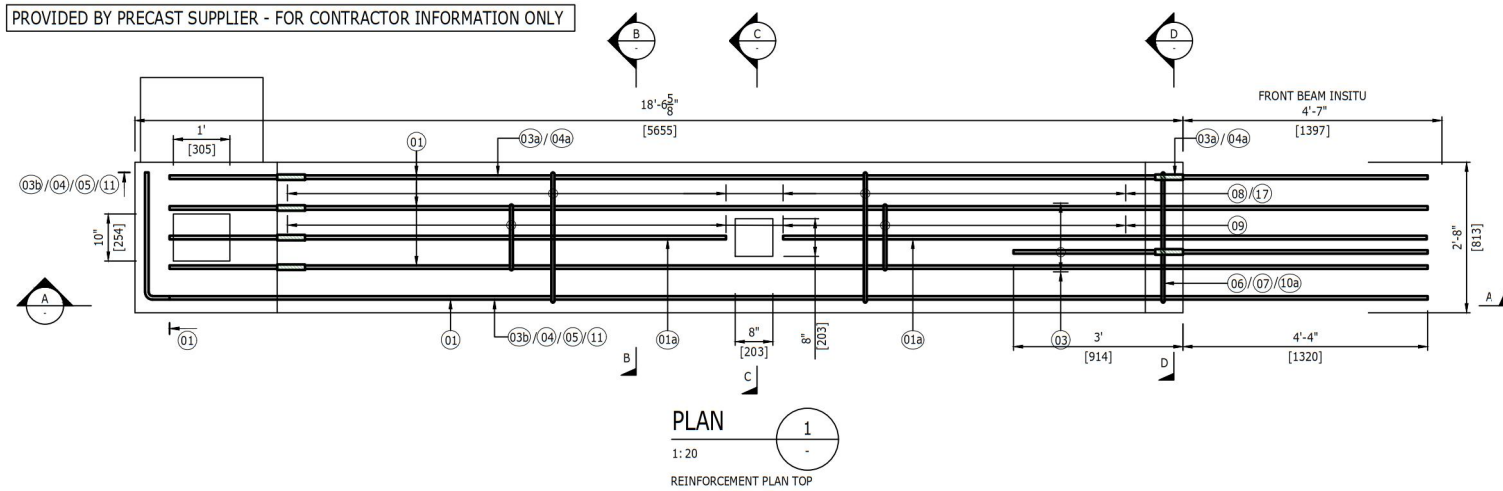


tel 020 7631 5291 fax 020 7323 4645 london@ramboll.co.uk www.ramboll.co.uk

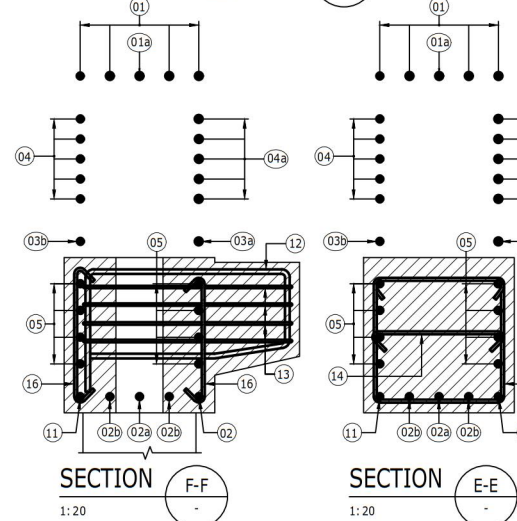
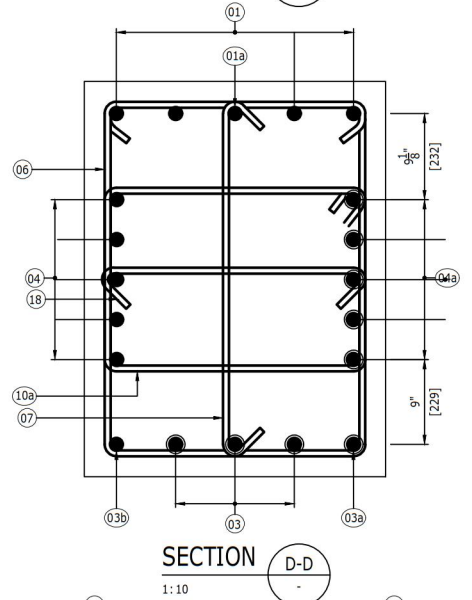
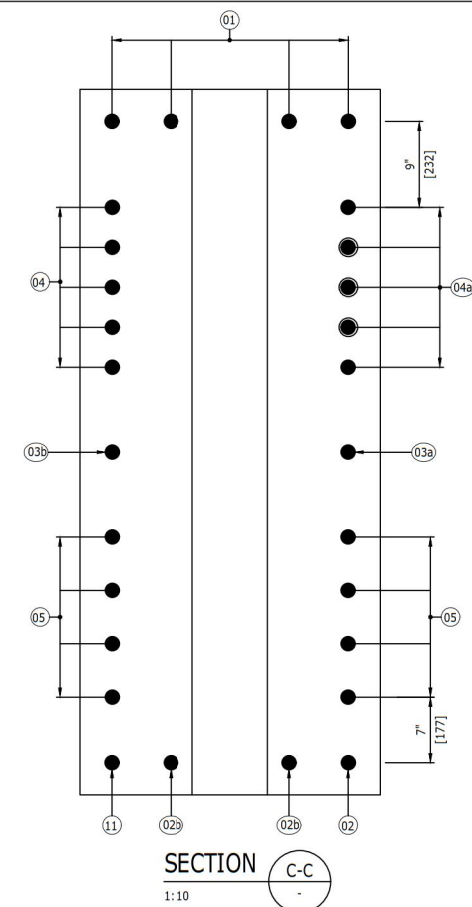
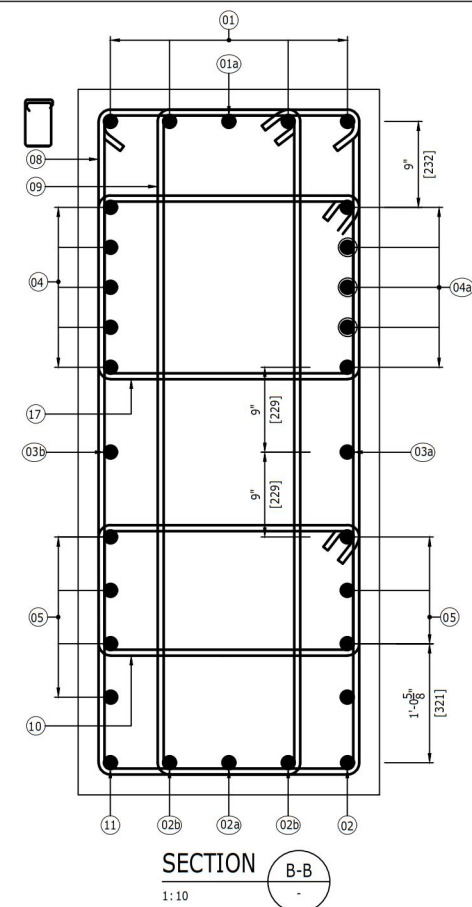
FRONT CAPPING BEAM
TYPE 2
REINFORCEMENT

Project No: 1620004884	Scale (@A1): AS NOTED	Drawn: RVSR	Date: JULY 18
Drawing No: -RAM-XX-00-DR-CW-0321	Rev: R01		

PROVIDED BY PRECAST SUPPLIER - FOR CONTRACTOR INFORMATION ONLY



NOTE: CAPPING BEAM TYPE 3A SHOWN.
CAPPING BEAM TYPE 3B OPPOSITE HAND
REFER TO DRAWING RAM-XX-00-DR-CW-0200 FOR LOCATIONS
TYPE 3A IS LOCATED @ GRID LINE 19
TYPE 3B IS LOCATED @ GRID LINE 1



SCHEDULE OF REINFORCEMENT
(SUBJECT TO SITE CHECK)

BAR MRK.	BAR DIA.	SPACING / NO.	SHAPE	SHAPE	REMARKS
01	#8 [25mm]	4 NOS.	—	STAINLESS	
01a	#8 [25mm]	1 NO.(EACH SIDE)	—	STAINLESS	
02	#8 [25mm]	1 NO.	┌	STAINLESS	
02a	#8 [25mm]	1 NO.(EACH SIDE)	—	STAINLESS	
02b	#8 [25mm]	2 NOS.	┌	STAINLESS	
03	#10 [32mm]	6" [150mm c/c]	—	STAINLESS	
03a	#10 [32mm]	1 NO.	—	STAINLESS	
03b	#10 [32mm]	1 NO.	—	STAINLESS	
04	#10 [32mm]	5 NOS.	┌	STAINLESS	
04a	#10 [32mm]	5 NOS.	—	STAINLESS	
05	#10 [32mm]	6" [150mm c/c]	┌	STAINLESS	
06	#5 [16mm]	2 NOS.	┌	STAINLESS	
07	#5 [16mm]	2 NOS.	┌	STAINLESS	
08	#5 [16mm]	8" [206mm c/c]	┌	GALVANISED	
09	#5 [16mm]	8" [206mm c/c]	┌	GALVANISED	
10	#5 [16mm]	8" [206mm c/c]	┌	GALVANISED	
10a	#5 [16mm]	2 NOS.	┌	STAINLESS	
11	#8 [25mm]	1 NO.	┌	STAINLESS	
12	#8 [25mm]	4 NOS.	┌	STAINLESS	
13	#4 [13mm]	4 NOS.	┌	STAINLESS	
14	#5 [16mm]	1 NO.	┌	STAINLESS	
15	#5 [16mm]	1 NO.	┌	STAINLESS	
16	#5 [16mm]	13 NOS.	┌	STAINLESS	
17	#5 [16mm]	8" [206mm c/c]	┌	GALVANISED	
18	#5 [16mm]	1 NO.	┌	STAINLESS	

LEGEND:
○/— COUPLER LOCATION

COPYRIGHT RAMBOLL UK LIMITED. ALL RIGHTS RESERVED. THIS DOCUMENT IS ISSUED FOR THE PARTY WHO COMMISSIONED IT AND FOR THE SPECIFIC PURPOSES CONNECTED WITH THE PROJECT ONLY. IT SHOULD NOT BE RELIED UPON BY ANY OTHER PARTY OR USED FOR ANY OTHER PURPOSE. RAMBOLL ACCEPTS NO RESPONSIBILITY OR LIABILITY WHICH MAY ARISE FROM RELIANCE OR USE OF THIS DOCUMENT OR THE DATA CONTAINED HEREIN BY ANY OTHER PARTY OR FOR ANY OTHER PURPOSE.

Notes

- DO NOT SCALE FROM THE DRAWING.
- ALL DRAWINGS SHOULD BE READ IN CONJUNCTION WITH OTHER RELEVANT ARCHITECTURAL, STRUCTURAL, MECHANICAL AND ELECTRICAL DRAWINGS AND ALL RELEVANT SECTIONS OF THE SPECIFICATION. ANY DISCREPANCIES ARE TO BE BROUGHT TO THE ATTENTION OF THE ENGINEER AND RESOLVED BEFORE COMMENCEMENT OF ANY WORK.
- REINFORCEMENT SHALL BE GRADE 60 TO ASTM A615 AND HOT DIP GALVANISED UNLESS NOTED OTHERWISE. STAINLESS STEEL REINFORCEMENT WHERE USED SHALL BE GRADE 75.
- CONCRETE SHALL BE GRADE M50 TO ACI 318 - REFER TO THE PROJECT SPECIFICATION FOR DETAILS
- NOMINAL COVER TO ALL FACES OF BEAM : 50+ Δc = 55mm : 2"+ Δc =2-3/16"
- FOR CONCRETE FINISH PLEASE REFER TO SPECIFICATION FOR HIGHWAYS WORKS SERIES 1700 STRUCTURAL CONCRETE STANDARD SUB CLAUSE 1708-4 FOR FINISHES TYPES:
EXPOSED FACES OF TRANSVERSE BEAM - F4
BOTTOM FACE OF PRECAST SLABS - F2
TOP FACE OF PRECAST SLABS - U4
EXPOSED FACES OF INSITU CONCRETE - U4

R01	FOR TENDER	13/07/2018	GDW	JC
Rev	Description	Date	By	App

FOR TENDER

KINGS WHARF REHABILITATION
BERMUDA
61-53-79-04



tel 020 7631 5291 fax 020 7323 4645 london@ramboll.co.uk www.ramboll.co.uk

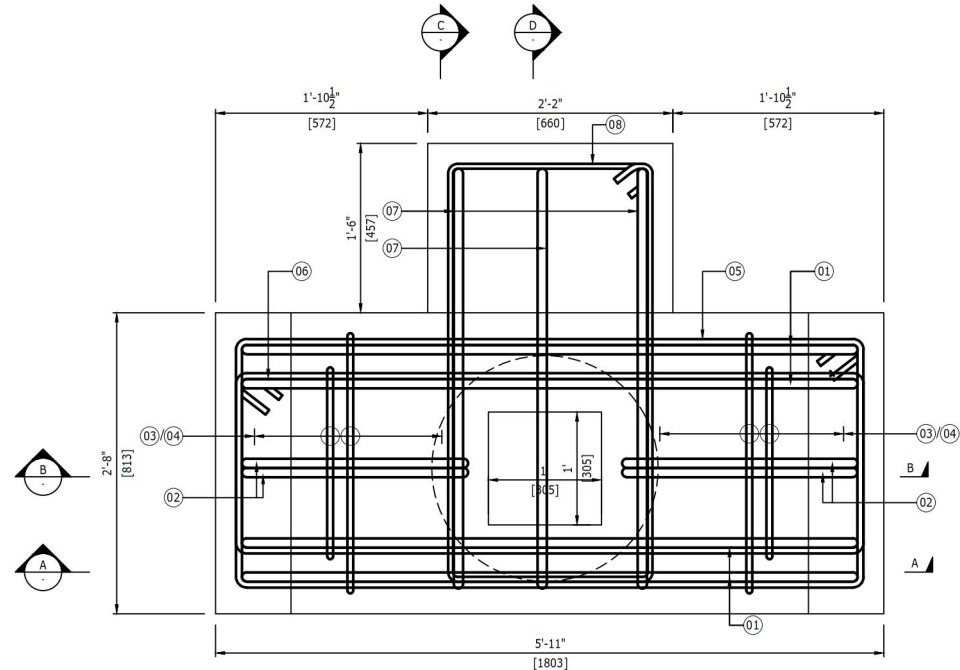
FRONT CAPPING BEAM
TYPE 3 A/B
REINFORCEMENT

Project No:	Scale (@A1):	Drawn:	Date:
1620004884	AS NOTED	RVSR	JULY 18

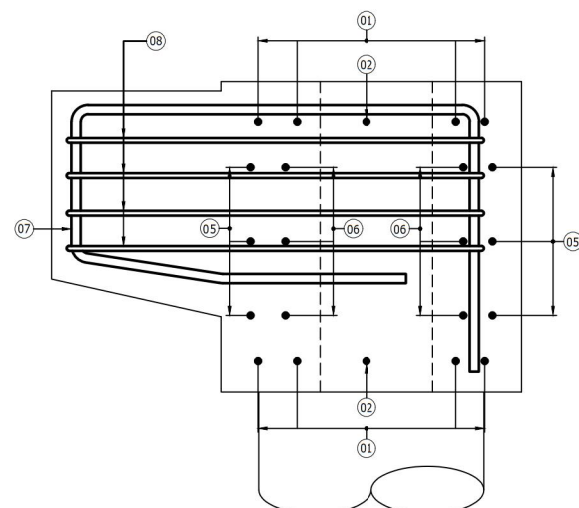
Drawing No:	Rev:
-RAM-XX-00-DR-CW-0322	R01

Notes

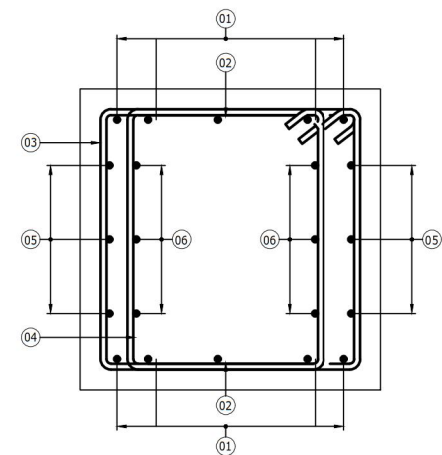
- DO NOT SCALE FROM THE DRAWING.
- ALL DRAWINGS SHOULD BE READ IN CONJUNCTION WITH OTHER RELEVANT ARCHITECTURAL, STRUCTURAL, MECHANICAL AND ELECTRICAL DRAWINGS AND ALL RELEVANT SECTIONS OF THE SPECIFICATION. ANY DISCREPANCIES ARE TO BE BROUGHT TO THE ATTENTION OF THE ENGINEER AND RESOLVED BEFORE COMMENCEMENT OF ANY WORK.
- REINFORCEMENT SHALL BE GRADE 60 TO ASTM A615 AND HOT DIP GALVANISED UNLESS NOTED OTHERWISE. STAINLESS STEEL REINFORCEMENT WHERE USED SHALL BE GRADE 75.
- CONCRETE SHALL BE GRADE M50 TO ACI 318 - REFER TO THE PROJECT SPECIFICATION FOR DETAILS
- NOMINAL COVER TO ALL FACES OF BEAM : $50 + \Delta c = 55\text{mm} : 2" + \Delta c = 2-3/16"$
- FOR CONCRETE FINISH PLEASE REFER TO SPECIFICATION FOR HIGHWAYS WORKS SERIES 1700 STRUCTURAL CONCRETE STANDARD SUB CLAUSE 1708-4 FOR FINISHES TYPES:
EXPOSED FACES OF TRANSVERSE BEAM - F4
BOTTOM FACE OF PRECAST SLABS - F2
TOP FACE OF PRECAST SLABS - U4
EXPOSED FACES OF INSITU CONCRETE - U4



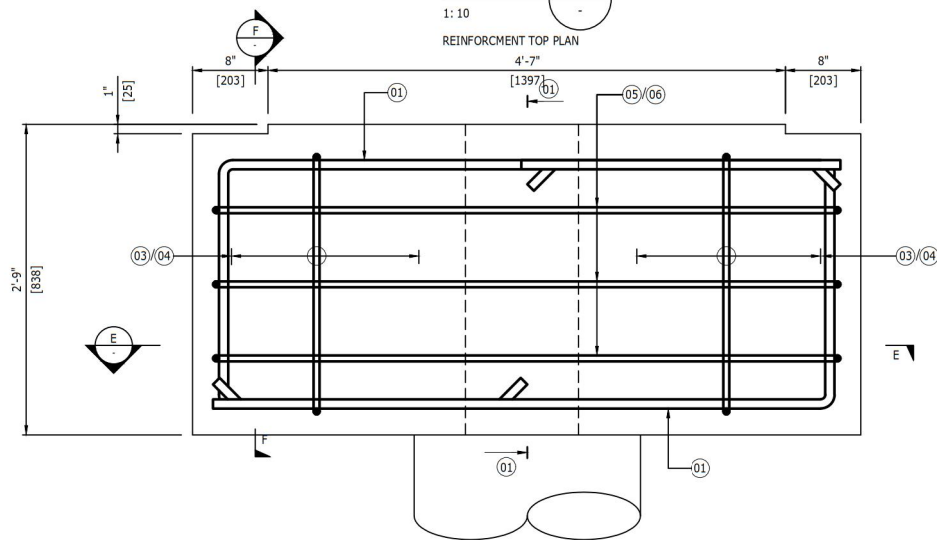
PLAN
1
1:10
REINFORCEMENT TOP PLAN



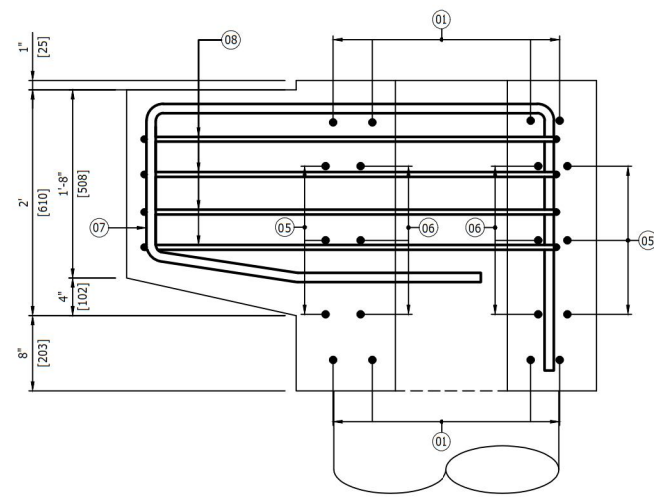
SECTION C-C
1:10



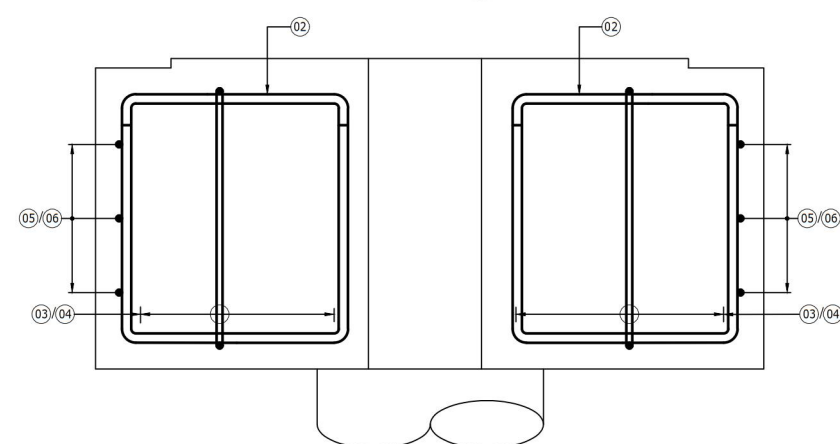
SECTION F-F
1:10



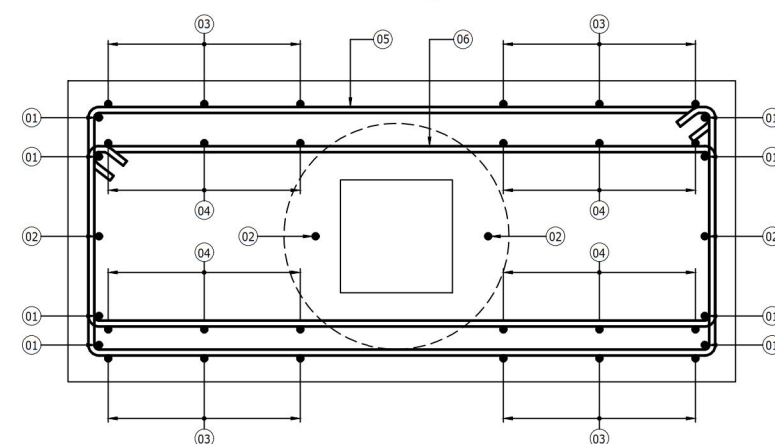
SECTION A-A
1:10



SECTION D-D
1:10



SECTION B-B
1:10



SECTION E-E
1:10

SCHEDULE OF REINFORCEMENT
(SUBJECT TO SITE CHECK)

BAR MRK.	BAR DIA.	SPACING / NO.	SHAPE	SHAPE	REMARKS
01	#8 [25mm]	4 NOS. (PAIRS)		GALVANISED	FRONT CAPPING PILE CAP
02	#8 [25mm]	2 NO. (EACH FACE)		GALVANISED	
03	#5 [16mm]	12" [300mm c/c]		GALVANISED	
04	#5 [16mm]	12" [300mm c/c]		GALVANISED	
05	#5 [16mm]	3 NOS.		GALVANISED	
06	#5 [16mm]	3 NOS.		GALVANISED	
07	#9 [29mm]	2 NOS.		GALVANISED	
08	#6 [19mm]	4 NOS.		GALVANISED	

R01	FOR TENDER	13/07/2018	GDW	JC
Rev	Description	Date	By	App

FOR TENDER

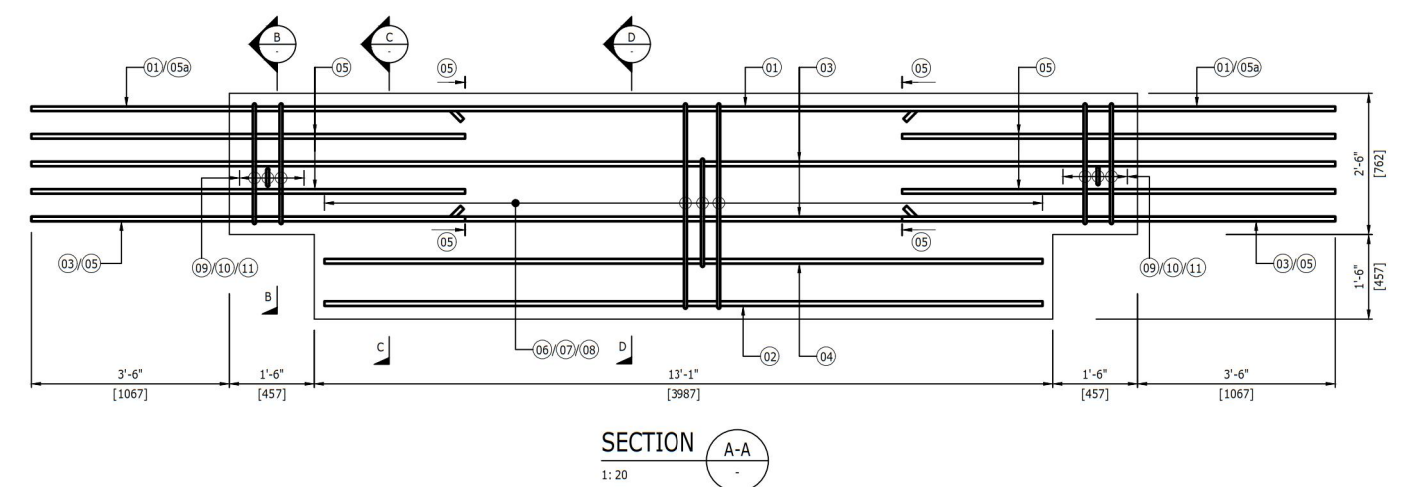
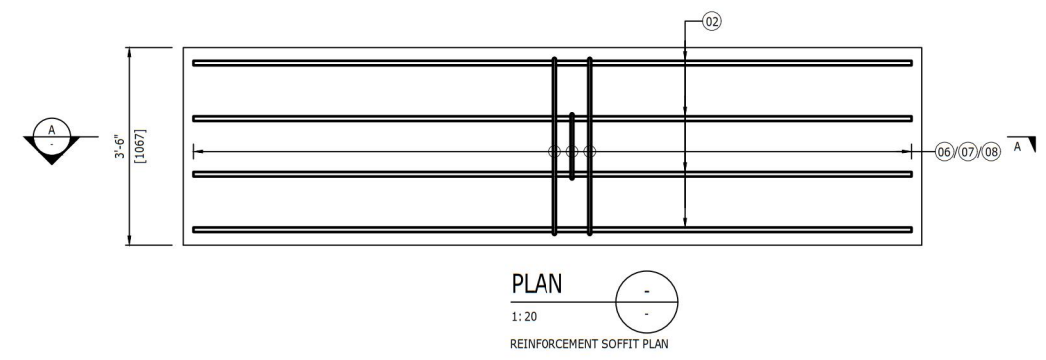
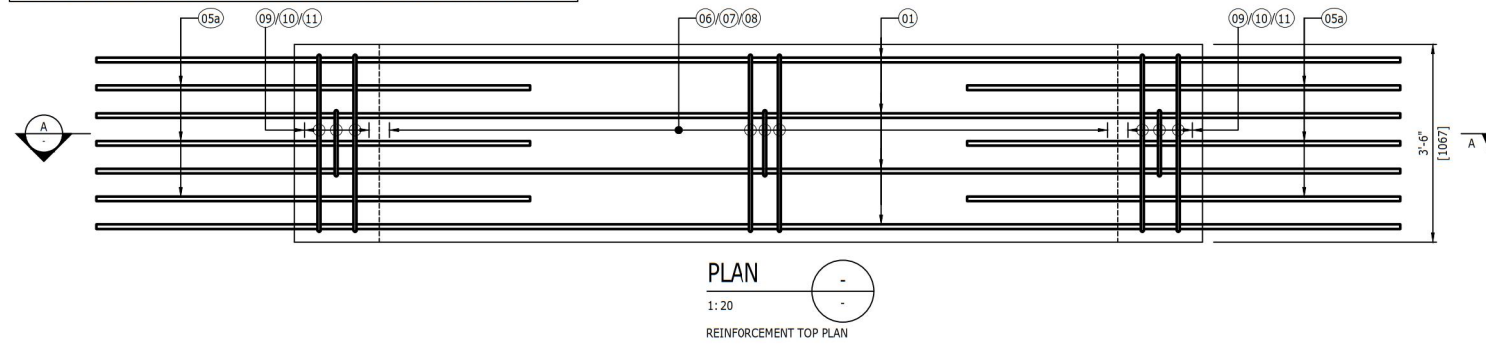
KINGS WHARF REHABILITATION
BERMUDA
61-53-79-04



tel 020 7631 5291 fax 020 7323 4645 london@ramboll.co.uk
www.ramboll.co.uk

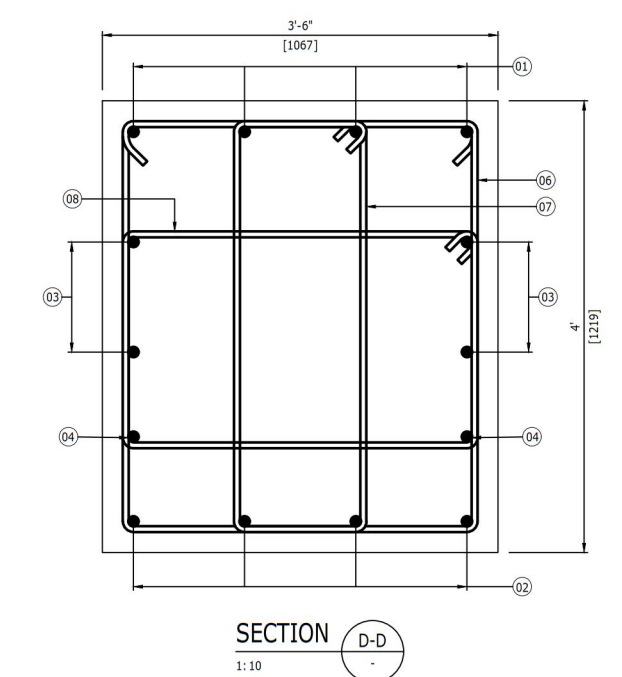
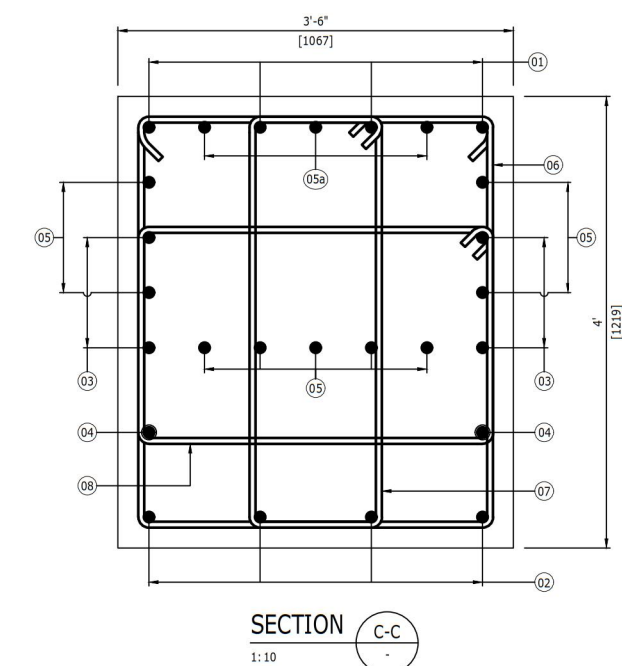
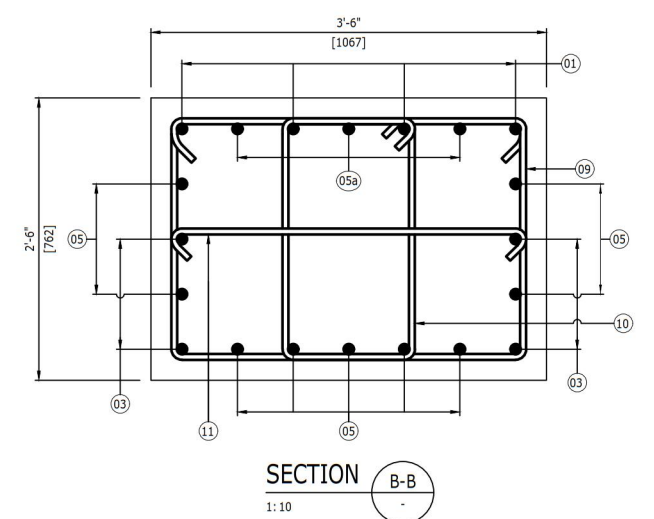
FRONT PILE CAP
REINFORCEMENT

Project No:	Scale (@A1):	Drawn:	Date:
1620004884	AS NOTED	MPSH	JULY 18
Drawing No:	Rev:		
-RAM-XX-00-DR-CW-0323	R01		



SCHEDULE OF REINFORCEMENT
(SUBJECT TO SITE CHECK)

BAR MRK.	BAR DIA.	SPACING / NO.	SHAPE	STEEL	REMARKS
01	#8 [25mm]	12" [300mm c/c]	—	STAINLESS STEEL	GROUND BEAM
02	#8 [25mm]	12" [300mm c/c]	—	GALVANISED	
03	#8 [25mm]	12" [300mm c/c]	EACH FACE	STAINLESS STEEL	
04	#8 [25mm]	1 no.	EACH FACE	GALVANISED	
05	#8 [25mm]	6" [150mm c/c]	—	STAINLESS STEEL	
05a	#8 [25mm]	12" [300mm c/c]	—	STAINLESS STEEL	
06	#5 [16mm]	14" [350mm c/c]	955 1110	GALVANISED	
07	#5 [16mm]	14" [350mm c/c]	955 1110	GALVANISED	
08	#5 [16mm]	14" [350mm c/c]	955 985	GALVANISED	
09	#5 [16mm]	8" [200mm c/c]	955 952	GALVANISED	
10	#5 [16mm]	8" [200mm c/c]	955 952	GALVANISED	
11	#5 [16mm]	8" [200mm c/c]	—	GALVANISED	



COPYRIGHT RAMBOLL UK LIMITED. ALL RIGHTS RESERVED. THIS DOCUMENT IS ISSUED FOR THE PARTY WHO COMMISSIONED IT AND FOR THE SPECIFIC PURPOSES CONNECTED WITH THE PROJECT ONLY. IT SHOULD NOT BE RELIED UPON BY ANY OTHER PARTY OR USED FOR ANY OTHER PURPOSE. RAMBOLL ACCEPTS NO RESPONSIBILITY OR LIABILITY WHICH MAY ARISE FROM RELIANCE OR USE OF THIS DOCUMENT OR THE DATA CONTAINED HEREIN BY ANY OTHER PARTY OR FOR ANY OTHER PURPOSE.

- Notes
- DO NOT SCALE FROM THE DRAWING.
 - ALL DRAWINGS SHOULD BE READ IN CONJUNCTION WITH OTHER RELEVANT ARCHITECTURAL, STRUCTURAL, MECHANICAL AND ELECTRICAL DRAWINGS AND ALL RELEVANT SECTIONS OF THE SPECIFICATION. ANY DISCREPANCIES ARE TO BE BROUGHT TO THE ATTENTION OF THE ENGINEER AND RESOLVED BEFORE COMMENCEMENT OF ANY WORK.
 - REINFORCEMENT SHALL BE GRADE 60 TO ASTM A615 AND HOT DIP GALVANISED UNLESS NOTED OTHERWISE. STAINLESS STEEL REINFORCEMENT WHERE USED SHALL BE GRADE 75.
 - CONCRETE SHALL BE GRADE M50 TO ACI 318 - REFER TO THE PROJECT SPECIFICATION FOR DETAILS
 - NOMINAL COVER TO ALL FACES OF BEAM
50 + Δc = 55mm
2" + Δc = 2 - 3/16"
 - FOR CONCRETE FINISH PLEASE REFER TO SPECIFICATION FOR HIGHWAYS WORKS SERIES 1700 STRUCTURAL CONCRETE STANDARD SUB CLAUSE 1708-4 FOR FINISHES TYPES:
EXPOSED FACES OF TRANSVERSE BEAM - F4
BOTTOM FACE OF PRECAST SLABS - F2
TOP FACE OF PRECAST SLABS - U4
EXPOSED FACES OF INSITU CONCRETE - U4

R01 FOR TENDER	1307 2018	GDW	JC
Rev	Description	Date	By App

FOR TENDER

KINGS WHARF REHABILITATION
BERMUDA
61-53-79-04

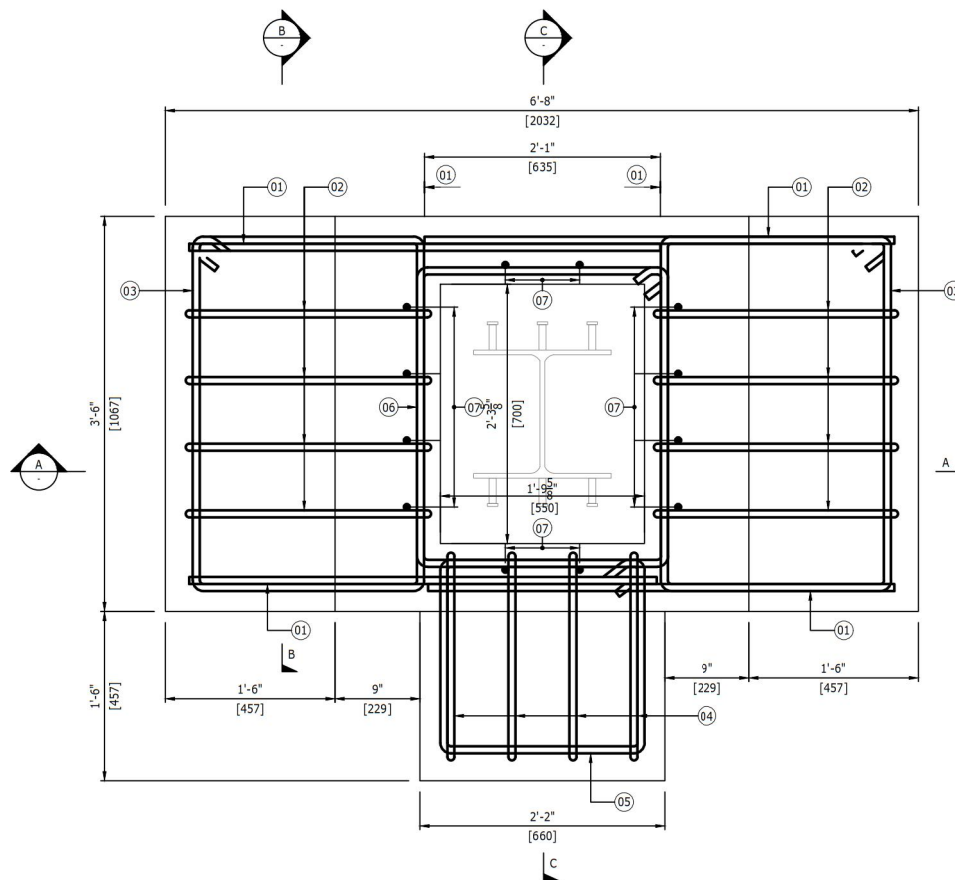


GROUND BEAM REINFORCEMENT

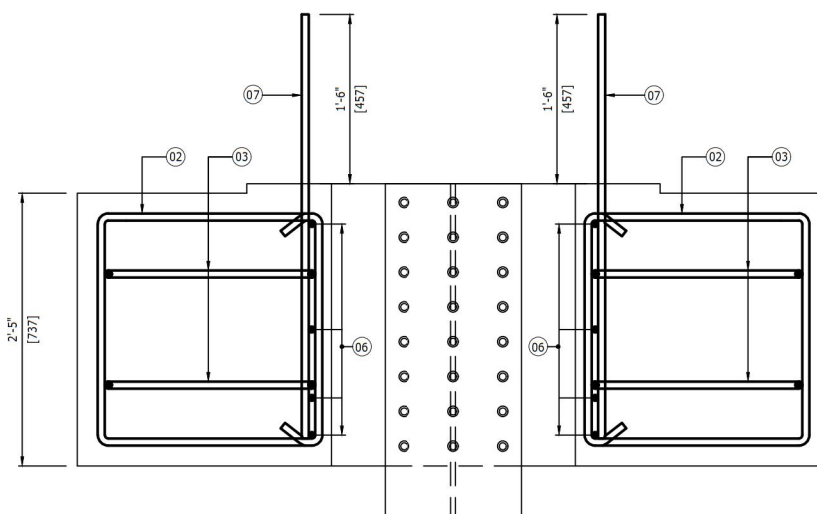
Project No:	Scale (@A1):	Drawn:	Date:
1620004884	AS NOTED	RVSR	JULY 18
Drawing No:	Rev:		
-RAM-XX-00-DR-CW-0330	R01		

Notes

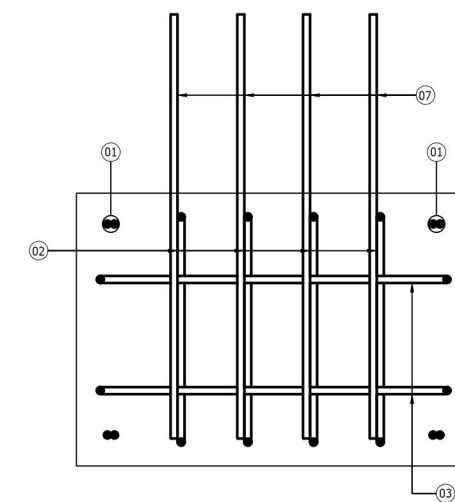
- DO NOT SCALE FROM THE DRAWING.
- ALL DRAWINGS SHOULD BE READ IN CONJUNCTION WITH OTHER RELEVANT ARCHITECTURAL, STRUCTURAL, MECHANICAL AND ELECTRICAL DRAWINGS AND ALL RELEVANT SECTIONS OF THE SPECIFICATION. ANY DISCREPANCIES ARE TO BE BROUGHT TO THE ATTENTION OF THE ENGINEER AND RESOLVED BEFORE COMMENCEMENT OF ANY WORK.
- REINFORCEMENT SHALL BE GRADE 60 TO ASTM A615 AND HOT DIP GALVANISED UNLESS NOTED OTHERWISE. STAINLESS STEEL REINFORCEMENT WHERE USED SHALL BE GRADE 75.
- CONCRETE SHALL BE GRADE M50 TO ACI 318 - REFER TO THE PROJECT SPECIFICATION FOR DETAILS
- NOMINAL COVER TO ALL FACES OF SLABS
 $50 + \Delta c = 55\text{mm}$
 $2" + \Delta c = 2 - 3/16"$
- FOR CONCRETE FINISH PLEASE REFER TO SPECIFICATION FOR HIGHWAYS WORKS SERIES 1700 STRUCTURAL CONCRETE STANDARD SUB CLAUSE 1708-4 FOR FINISHES TYPES:
 EXPOSED FACES OF PRECAST CAPS - F4
 BURIED FACES OF PRECAST CAPS - F2
 TOP FACE OF PRECAST CAPS - U4
 EXPOSED FACES OF INSITU CONCRETE - U4



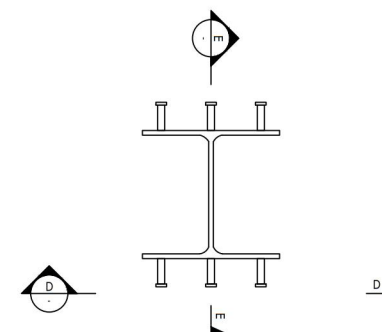
PLAN 1
1:10
REINFORCEMENT TOP PLAN



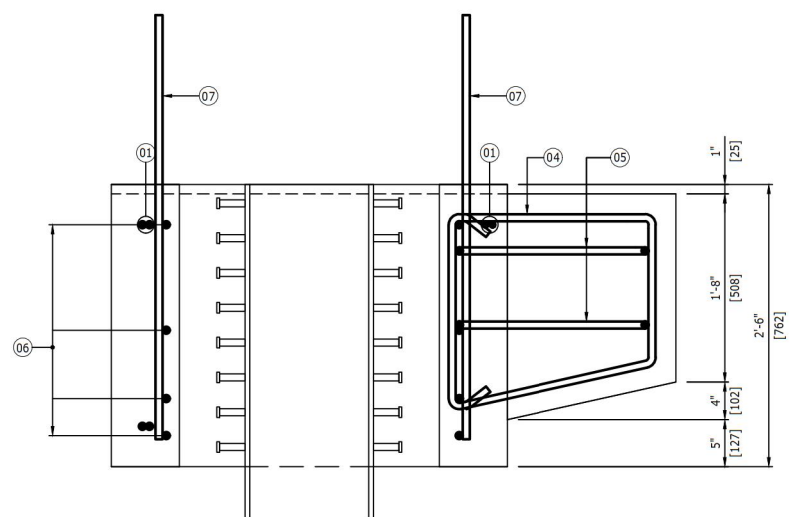
SECTION A-A
1:10



SECTION B-B
1:10



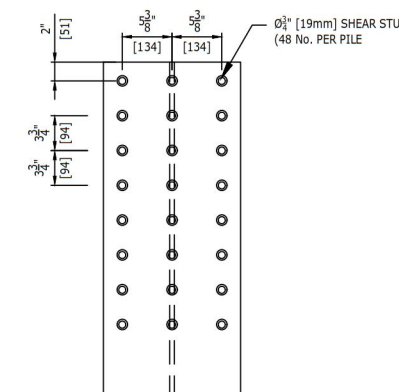
PLAN 1
1:10
PILE AND SHEAR STUD PLAN



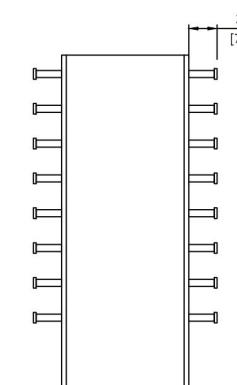
SECTION C-C
1:10

SCHEDULE OF REINFORCEMENT
(SUBJECT TO SITE CHECK)

BAR MRK.	BAR DIA.	SPACING / NO.	SHAPE	STEEL	REMARKS
01	#6 [19mm]	2 NOS.(EACH SIDE)	C	GALVANISED	FRONT CAPPING PILE CAP
02	#6 [19mm]	4 NOS.(EACH SIDE)	D	GALVANISED	
03	#6 [19mm]	2 NOS.(EACH SIDE)	D	GALVANISED	
04	#6 [19mm]	4 NOS.	D	GALVANISED	
05	#6 [19mm]	2 NOS.	D	GALVANISED	
06	#6 [19mm]	4 NOS.	D	GALVANISED	
07	#6 [19mm]	12 NOS.	I	STAINLESS STEEL	



SECTION D
1:10



SECTION E
1:10

R01 FOR TENDER	1307 2018	GDW	JC
Rev	Description	Date	By App

FOR TENDER

KINGS WHARF REHABILITATION
BERMUDA
61-53-79-04

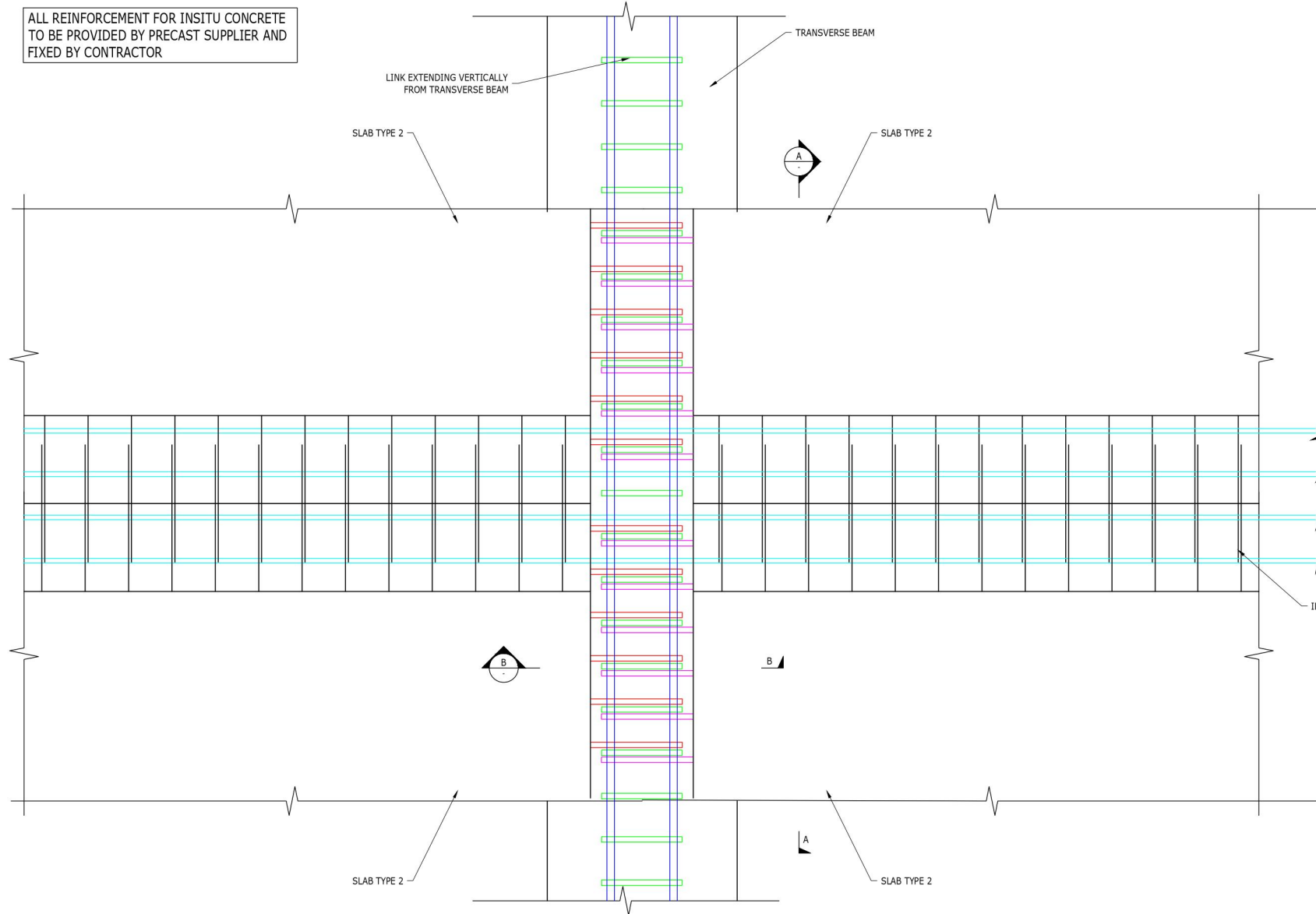


tel 020 7631 5291 fax 020 7323 4645 london@ramboll.co.uk
www.ramboll.co.uk

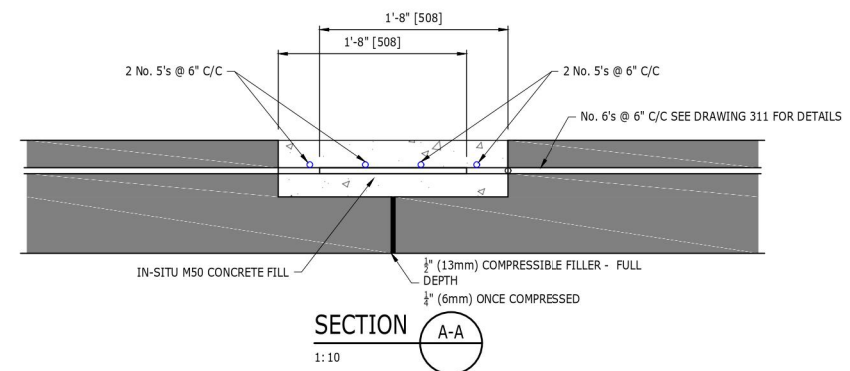
REAR PILE CAP
REINFORCEMENT

Project No: 1620004884	Scale (@A1): AS NOTED	Drawn: MPSH	Date: JULY 18
Drawing No: -RAM-XX-00-DR-CW-0331	Rev: R01		

ALL REINFORCEMENT FOR INSITU CONCRETE TO BE PROVIDED BY PRECAST SUPPLIER AND FIXED BY CONTRACTOR



PLAN
1:10
TYPICAL DETAIL

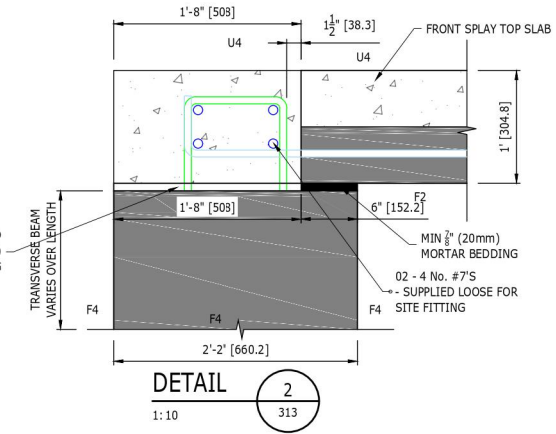


SECTION A-A
1:10

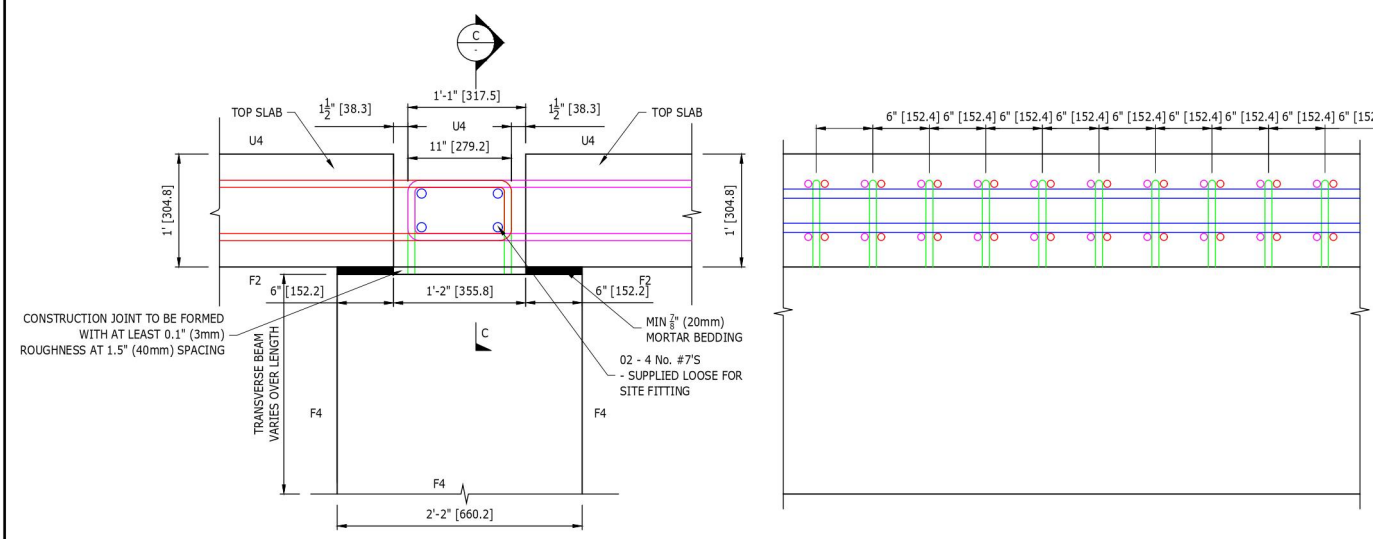
SCHEDULE OF REINFORCEMENT
(SUBJECT TO SITE CHECK)

BAR MKR.	BAR DIA.	SPACING / NO.	SHAPE	STEEL	REMARKS
01	#5 [16mm]	6" [150mm c/c]	U	STAINLESS STEEL	LOOSE BARS
02	#7 [22mm]	8.6" [220mm c/c]	F	STAINLESS STEEL	

01 - 4 No #5's @ 6" SPACINGS - SUPPLIED LOOSE FOR SITE FITTING

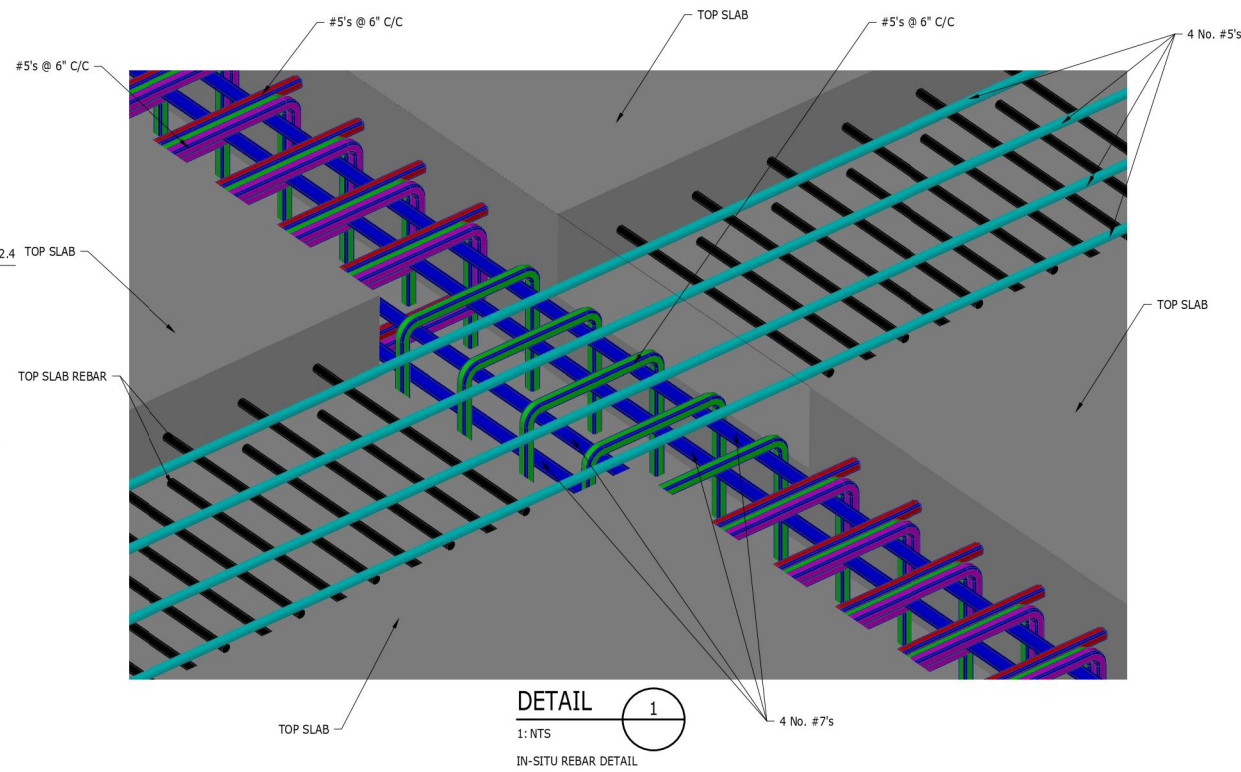


DETAIL 2
1:10



SECTION B-B
1:10

SECTION C-C
1:10



DETAIL 1
1:NTS
IN-SITU REBAR DETAIL

COPYRIGHT RAMBOLL UK LIMITED. ALL RIGHTS RESERVED. THIS DOCUMENT IS ISSUED FOR THE PARTY WHO COMMISSIONED IT AND FOR THE SPECIFIC PURPOSES CONNECTED WITH THE PROJECT ONLY. IT SHOULD NOT BE RELIED UPON BY ANY OTHER PARTY OR USED FOR ANY OTHER PURPOSE. RAMBOLL ACCEPTS NO RESPONSIBILITY OR LIABILITY WHICH MAY ARISE FROM RELIANCE OR USE OF THIS DOCUMENT OR THE DATA CONTAINED HEREIN BY ANY OTHER PARTY OR FOR ANY OTHER PURPOSE.

- Notes**
- DO NOT SCALE FROM THE DRAWING.
 - ALL DRAWINGS SHOULD BE READ IN CONJUNCTION WITH OTHER RELEVANT ARCHITECTURAL, STRUCTURAL, MECHANICAL AND ELECTRICAL DRAWINGS AND ALL RELEVANT SECTIONS OF THE SPECIFICATION. ANY DISCREPANCIES ARE TO BE BROUGHT TO THE ATTENTION OF THE ENGINEER AND RESOLVED BEFORE COMMENCEMENT OF ANY WORK.
 - ALL CONCRETE SHALL BE GRADE M50 TO ACI 318 - REFER TO THE PROJECT SPECIFICATION FOR DETAILS
 - REINFORCEMENT SHALL BE GRADE 60 TO ASTM A615 AND HOT DIPPED GALVANISED, UNLESS NOTED OTHERWISE. STAINLESS STEEL REINFORCEMENT WHERE USED SHALL BE GRADE 75.
 - NOMINAL COVER TO ALL INSITU CONCRETE
50 + Δc = 55mm
2" + Δc = 2 - 3/16"
 - FOR DETAILS ON PROTRUDING BARS FROM THE PRECAST ELEMENTS REFER TO THE FOLLOWING DRAWINGS:

TRANSVERSE BEAM - TYPE 1 -RAM-XX-00-DR-CW-300
TRANSVERSE BEAM - TYPE 2 -RAM-XX-00-DR-CW-301

SLAB UNIT - TYPE 1 -RAM-XX-00-DR-CW-310
SLAB UNIT - TYPE 2 -RAM-XX-00-DR-CW-311
SLAB UNIT - TYPE 3 -RAM-XX-00-DR-CW-312
SLAB UNIT - TYPE 4 -RAM-XX-00-DR-CW-313
 - FOR CONCRETE FINISH PLEASE REFER TO SPECIFICATION FOR HIGHWAYS WORKS SERIES 1700 STRUCTURAL CONCRETE STANDARD SUB CLAUSE 1708-4 FOR FINISHES TYPES:

UPWARD FACING SURFACES OF INSITU CONCRETE - U4 BRUSHED FINISH
ALL OTHER EXPOSED FACES OF INSITU CONCRETE - U4 / F4
 - ALL JOINTS SHALL BE FLUSHED WITH FRESH WATER IMMEDIATELY BEFORE CONCRETE IS PLACED TO REMOVE SALTS

R01	FOR TENDER	13/07 2018	CDW	JC
Rev	Description	Date	By	App

FOR TENDER

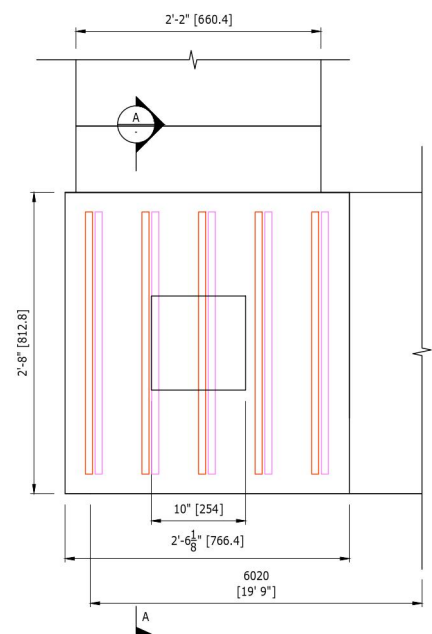
KINGS WHARF REHABILITATION BERMUDA
61-53-79-04



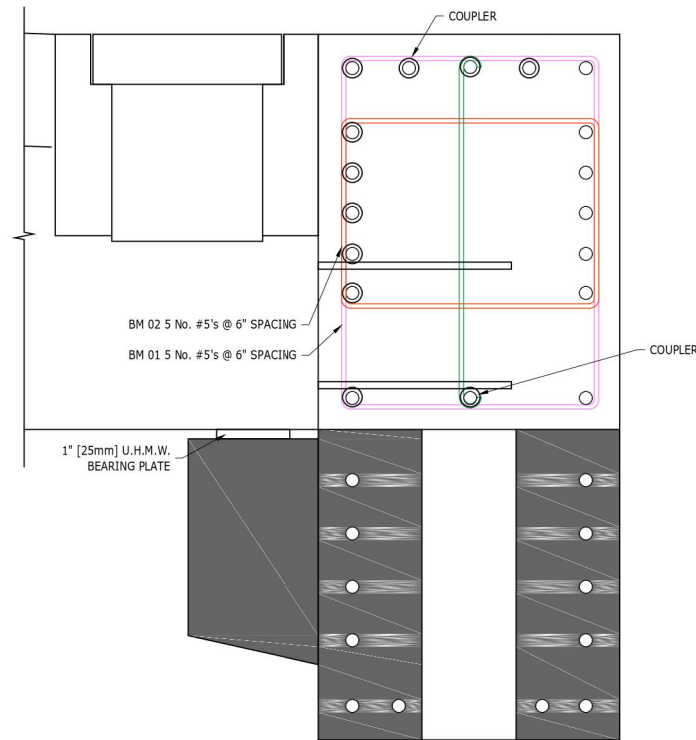
IN SITU REINFORCEMENT FOR BETWEEN SLABS

Project No:	Scale (to A1):	Drawn:	Date:
1620004884	1:10	CDW	JULY 18
Drawing No:	Rev:		
-RAM-XX-00-DR-CW-0340	R01		

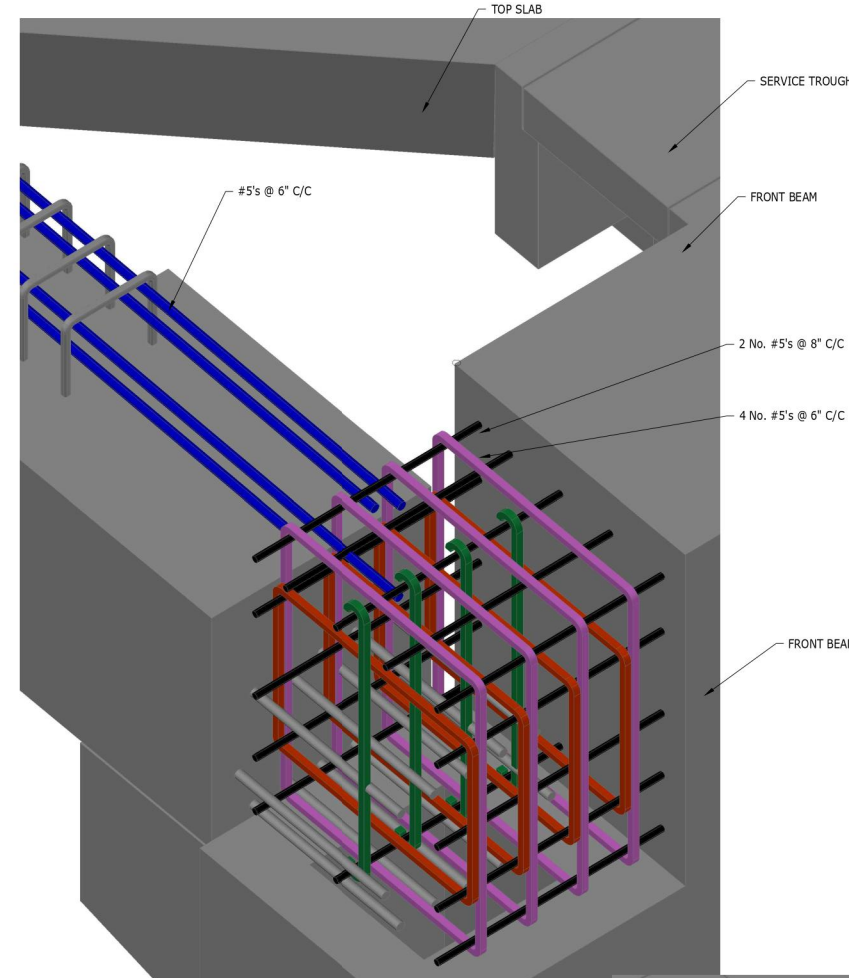
ALL REINFORCEMENT FOR INSITU CONCRETE TO BE PROVIDED BY PRECAST SUPPLIER AND FIXED BY CONTRACTOR



PLAN
1:10
FRONT BEAM JOINT AT ENDS



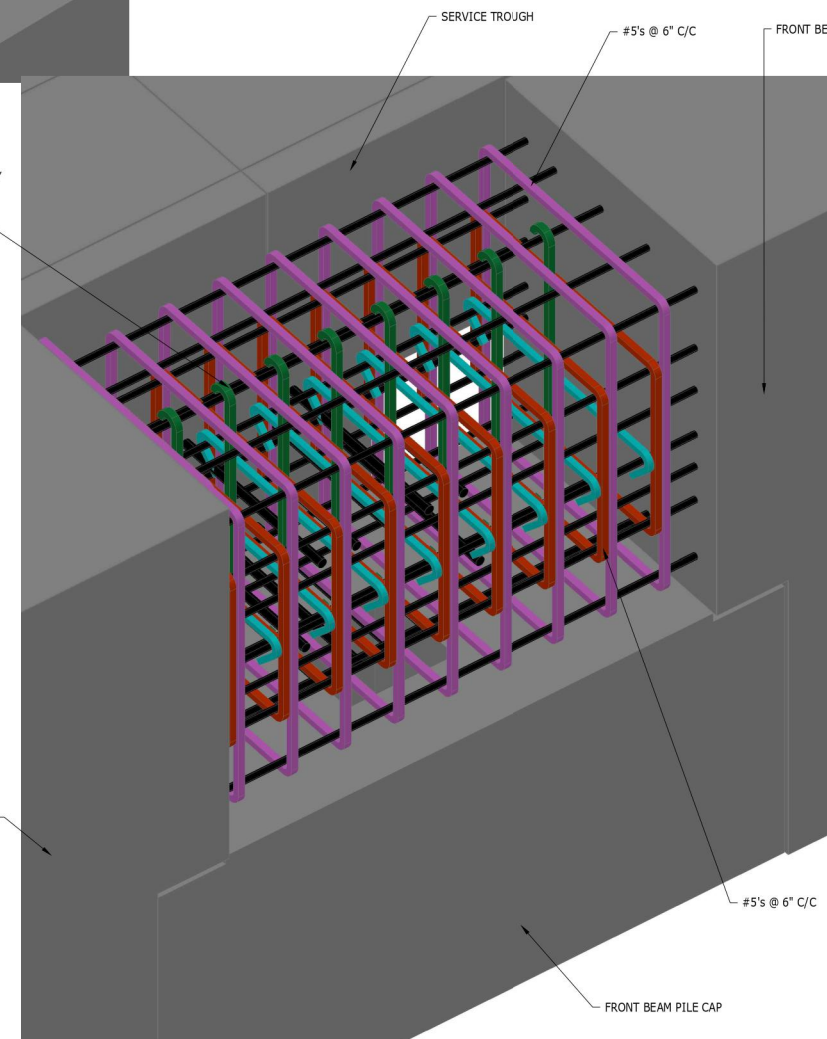
SECTION A-A
1:10



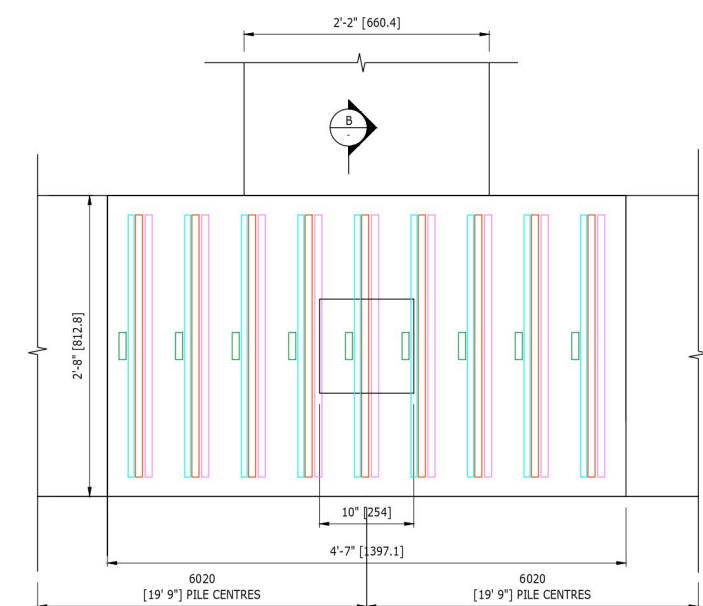
SCHEDULE OF REINFORCEMENT
(SUBJECT TO SITE CHECK)

BAR MRK.	BAR DIA.	SPACING / NO.	SHAPE	STEEL	REMARKS
01	#5 [16mm]	6" [150mm c/c]		STAINLESS	LOOSE BARS
02	#5 [16mm]	6" [150mm c/c]		STAINLESS	
03	#5 [16mm]	6" [150mm c/c]		STAINLESS	
04	#5 [16mm]	6" [150mm c/c]		STAINLESS	

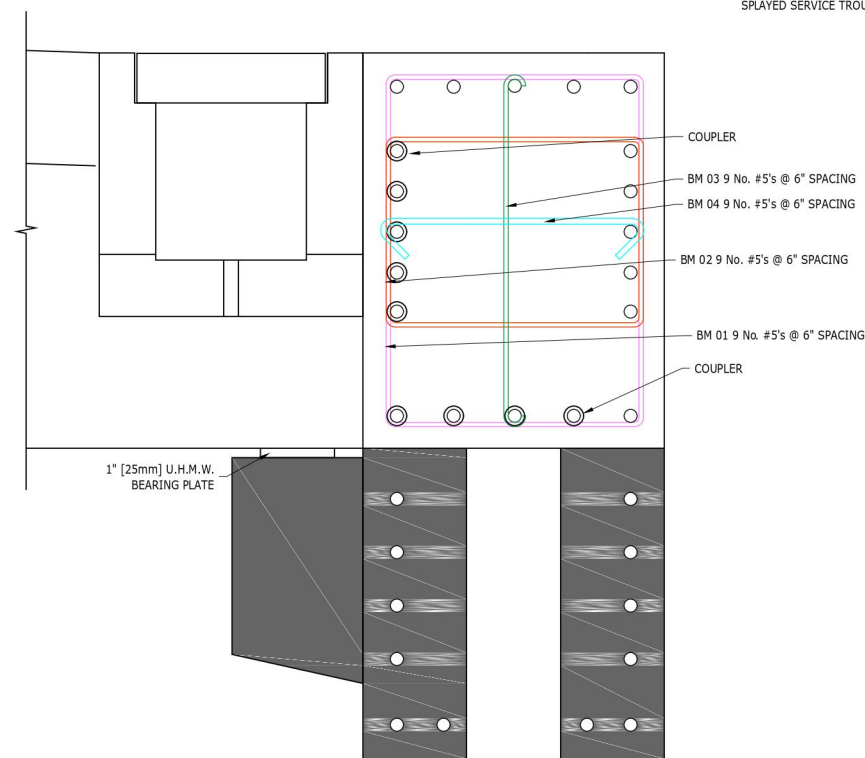
DETAIL
1:NTS
IN-SITU REBAR END DETAIL
SPRAYED SERVICE TROUGH OMITTED FOR CLARITY



DETAIL
1:NTS
IN-SITU REBAR DETAIL



PLAN
1:10
TYPICAL FRONT BEAM JOINT



SECTION B-B
1:10

COPYRIGHT RAMBOLL UK LIMITED. ALL RIGHTS RESERVED. THIS DOCUMENT IS ISSUED FOR THE PARTY WHO COMMISSIONED IT AND FOR THE SPECIFIC PURPOSES CONNECTED WITH THE PROJECT ONLY. IT SHOULD NOT BE RELIED UPON BY ANY OTHER PARTY OR USED FOR ANY OTHER PURPOSE. RAMBOLL ACCEPTS NO RESPONSIBILITY OR LIABILITY WHICH MAY ARISE FROM RELIANCE OR USE OF THIS DOCUMENT OR THE DATA CONTAINED HEREIN BY ANY OTHER PARTY OR FOR ANY OTHER PURPOSE.

Notes

- DO NOT SCALE FROM THE DRAWING.
- ALL DRAWINGS SHOULD BE READ IN CONJUNCTION WITH OTHER RELEVANT ARCHITECTURAL, STRUCTURAL, MECHANICAL AND ELECTRICAL DRAWINGS AND ALL RELEVANT SECTIONS OF THE SPECIFICATION. ANY DISCREPANCIES ARE TO BE BROUGHT TO THE ATTENTION OF THE ENGINEER AND RESOLVED BEFORE COMMENCEMENT OF ANY WORK.
- ALL CONCRETE SHALL BE GRADE M50 TO ACI 318 - REFER TO THE PROJECT SPECIFICATION FOR DETAILS
- REINFORCEMENT SHALL BE GRADE 60 TO ASTM A615 AND HOT DIPPED GALVANISED, UNLESS NOTED OTHERWISE. STAINLESS STEEL REINFORCEMENT WHERE USED SHALL BE GRADE 75.
- NOMINAL COVER TO ALL INSITU CONCRETE
50 + Δc = 55mm
2" + Δc = 2 - 3/16"
- FOR DETAILS ON PROTRUDING BARS FROM THE PRECAST ELEMENTS REFER TO THE FOLLOWING DRAWINGS:
TRANSVERSE BEAM - TYPE 1 -RAM-XX-00-DR-CW-300
TRANSVERSE BEAM - TYPE 2 -RAM-XX-00-DR-CW-301
SLAB UNIT - TYPE 1 -RAM-XX-00-DR-CW-310
SLAB UNIT - TYPE 2 -RAM-XX-00-DR-CW-311
SLAB UNIT - TYPE 3 -RAM-XX-00-DR-CW-312
SLAB UNIT - TYPE 4 -RAM-XX-00-DR-CW-313
- FOR CONCRETE FINISH PLEASE REFER TO SPECIFICATION FOR HIGHWAYS WORKS SERIES 1700 STRUCTURAL CONCRETE STANDARD SUB CLAUSE 1708-4 FOR FINISHES TYPES:
UPWARD FACING SURFACES OF INSITU CONCRETE - U4 BRUSHED FINISH
ALL OTHER EXPOSED FACES OF INSITU CONCRETE - U4 / F4
- ALL JOINTS SHALL BE FLUSHED WITH FRESH WATER IMMEDIATELY BEFORE CONCRETE IS PLACED TO REMOVE SALTS

R01	FOR TENDER	13/07/2018	CDW	JC
Rev	Description	Date	By	App

FOR TENDER

KINGS WHARF REHABILITATION
BERMUDA
61-53-79-04



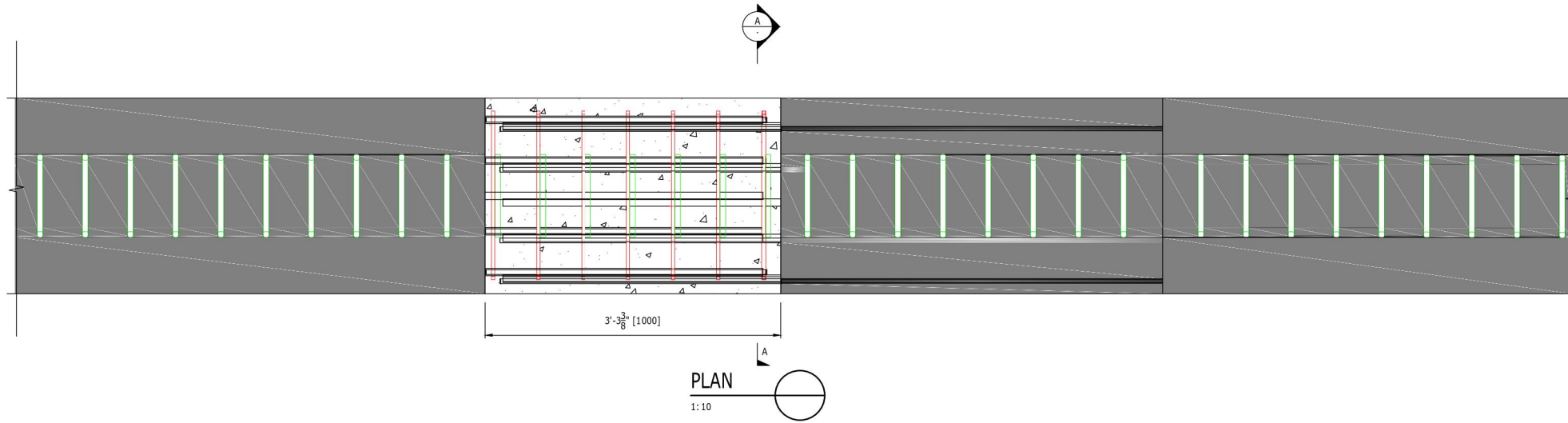
RAMBOLL

tel 020 7631 5291 fax 020 7323 4645 london@ramboll.co.uk
www.ramboll.co.uk

IN SITU CONCRETE FRONT BEAM REINFORCEMENT

Project No:	Scale (@A1):	Drawn:	Date:
1620004884	1:10	CDW	JULY 18
Drawing No:	Rev:		
-RAM-XX-00-DR-CW-0341	R01		

ALL REINFORCEMENT FOR INSITU CONCRETE TO BE PROVIDED BY PRECAST SUPPLIER AND FIXED BY CONTRACTOR



PLAN
1:10

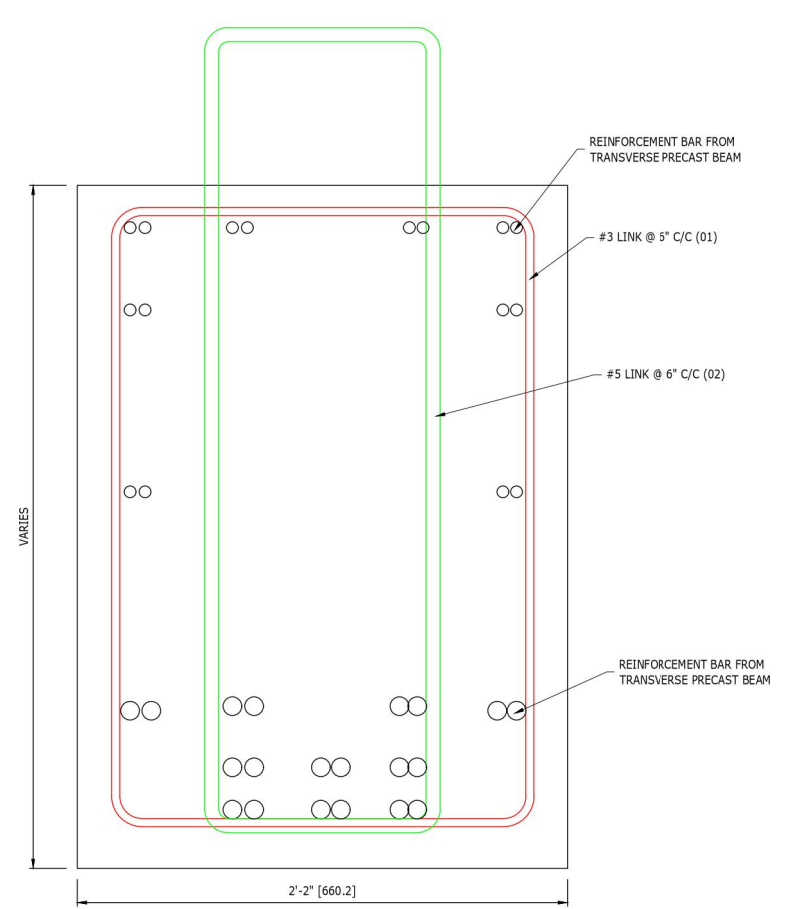
SCHEDULE OF REINFORCEMENT (SUBJECT TO SITE CHECK)					
BAR MRK.	BAR DIA.	SPACING / NO.	SHAPE	STEEL	REMARKS
01	#3 [12mm]	6" [150mm c/c]		STAINLESS	LOOSE BARS
02	#5 [16mm]	6" [150mm c/c]		STAINLESS	

COPYRIGHT RAMBOLL UK LIMITED. ALL RIGHTS RESERVED. THIS DOCUMENT IS ISSUED FOR THE PARTY WHO COMMISSIONED IT AND FOR THE SPECIFIC PURPOSES CONNECTED WITH THE PROJECT ONLY. IT SHOULD NOT BE RELIED UPON BY ANY OTHER PARTY OR USED FOR ANY OTHER PURPOSE. RAMBOLL ACCEPTS NO RESPONSIBILITY OR LIABILITY WHICH MAY ARISE FROM RELIANCE OR USE OF THIS DOCUMENT OR THE DATA CONTAINED HEREIN BY ANY OTHER PARTY OR FOR ANY OTHER PURPOSE.

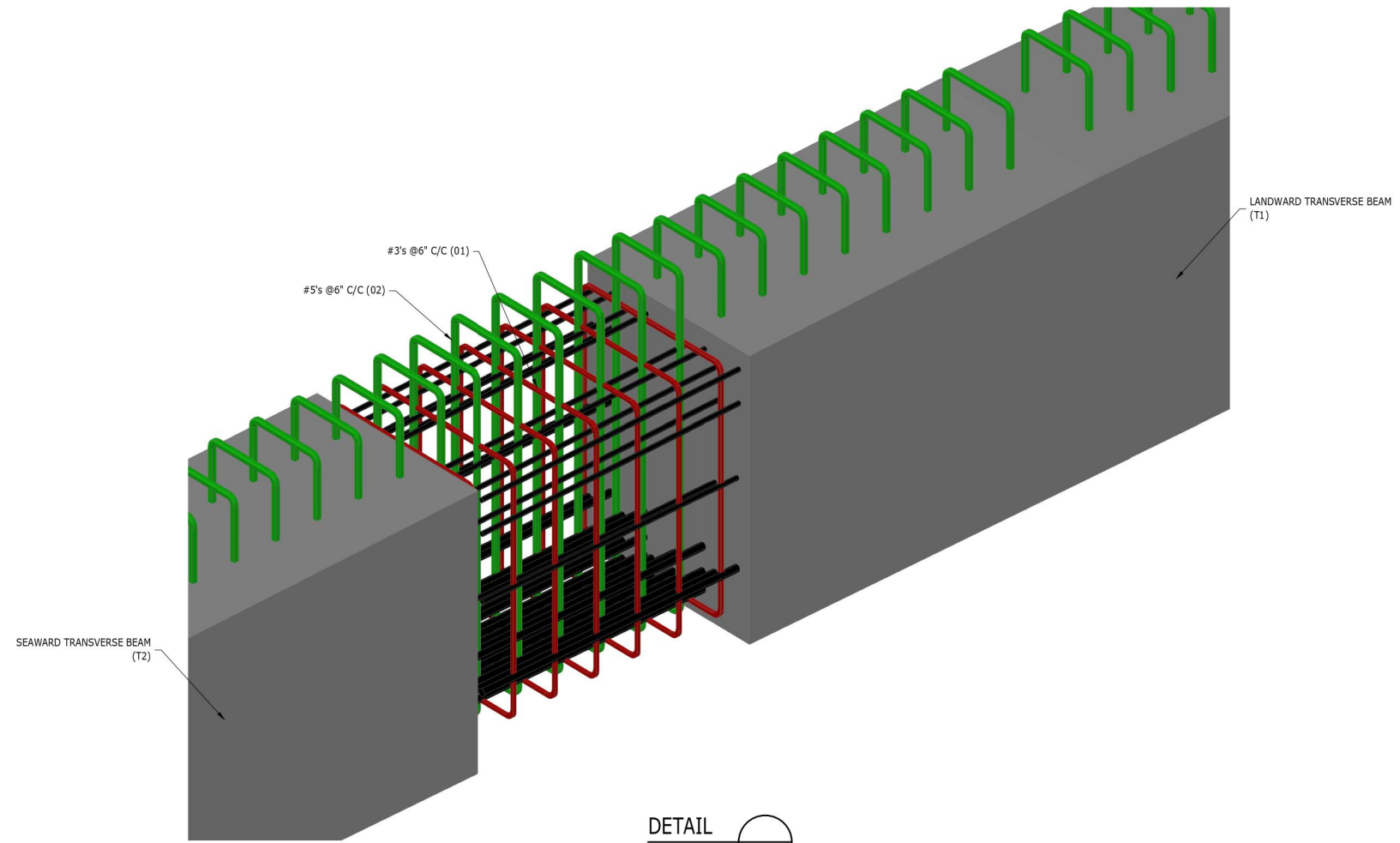
- Notes
- DO NOT SCALE FROM THE DRAWING.
 - ALL DRAWINGS SHOULD BE READ IN CONJUNCTION WITH OTHER RELEVANT ARCHITECTURAL, STRUCTURAL, MECHANICAL AND ELECTRICAL DRAWINGS AND ALL RELEVANT SECTIONS OF THE SPECIFICATION. ANY DISCREPANCIES ARE TO BE BROUGHT TO THE ATTENTION OF THE ENGINEER AND RESOLVED BEFORE COMMENCEMENT OF ANY WORK.
 - ALL CONCRETE SHALL BE GRADE M50 TO ACI 318 - REFER TO THE PROJECT SPECIFICATION FOR DETAILS
 - REINFORCEMENT SHALL BE GRADE 60 TO ASTM A615 AND HOT DIPPED GALVANISED, UNLESS NOTED OTHERWISE. STAINLESS STEEL REINFORCEMENT WHERE USED SHALL BE GRADE 75.
 - NOMINAL COVER TO ALL INSITU CONCRETE
50 + Δc = 55mm
2" + Δc = 2 - 3/16"
 - FOR DETAILS ON PROTRUDING BARS FROM THE PRECAST ELEMENTS REFER TO THE FOLLOWING DRAWINGS:

TRANSVERSE BEAM - TYPE 1 -RAM-XX-00-DR-CW-300
TRANSVERSE BEAM - TYPE 2 -RAM-XX-00-DR-CW-301

SLAB UNIT - TYPE 1 -RAM-XX-00-DR-CW-310
SLAB UNIT - TYPE 2 -RAM-XX-00-DR-CW-311
SLAB UNIT - TYPE 3 -RAM-XX-00-DR-CW-312
SLAB UNIT - TYPE 4 -RAM-XX-00-DR-CW-313
 - FOR CONCRETE FINISH PLEASE REFER TO SPECIFICATION FOR HIGHWAYS WORKS SERIES 1700 STRUCTURAL CONCRETE STANDARD SUB CLAUSE 1708-4 FOR FINISHES TYPES:
TOP FACE OF JOINT TO BE FORMED WITH AT LEAST 3mm ROUGHNESS AT 40mm SPACING
ALL OTHER FACES OF INSITU CONCRETE AT TRANSVERSE BEAM JOINT - F4
 - ALL JOINTS SHALL BE FLUSHED WITH FRESH WATER IMMEDIATELY BEFORE CONCRETE IS PLACED TO REMOVE SALTS



SECTION A-A
1:5



DETAIL
1: NTS
IN-SITU REBAR DETAIL

R01	FOR TENDER	13/07/2018	CDW	JC
Rev	Description	Date	By	App

FOR TENDER

KINGS WHARF REHABILITATION
BERMUDA
61-53-79-04

GOVERNMENT OF BERMUDA
MINISTRY OF PUBLIC WORKS
DEPARTMENT OF WORKS AND ENGINEERING
GENERAL POST OFFICE BUILDING
3RD FLOOR, 54 GEORGE STREET
HAMILTON HM 12
BERMUDA

RAMBOLL
tel 020 7631 5291 fax 020 7323 4645 london@ramboll.co.uk
www.ramboll.co.uk

IN SITU
CONCRETE TRANSVERSE
BEAM REINFORCEMENT

Project No:	Scale (①A1):	Drawn:	Date:
1620004884	AS NOTED	CDW	JULY 18
Drawing No:	Rev:		
-RAM-XX-00-DR-CW-0342	R01		