



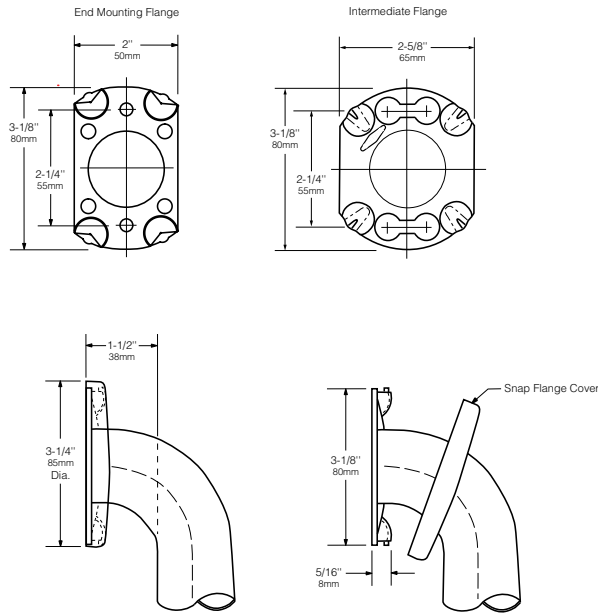
Technical Data

**1½" (38mm) DIAMETER
STAINLESS STEEL GRAB
BARS WITH SNAP FLANGE**

**B-6806
SERIES**

Specify Finish Required:

- Satin finish
- Satin finish with peened gripping surface; add suffix .99 to model number



<p>HORIZONTAL</p>	<p>VERTICAL</p>	<p>TWO-WALL WHEELCHAIR TOILET COMPARTMENT</p>
<p>B-6806 x 12, 18, 24, 30, 36, 42, 48</p>		<p>B-68137</p>
<p>HORIZONTAL TUB / SHOWER / TOILET COMPARTMENT BAR 24 x 36</p>	<p>HORIZONTAL TWO-WALL BAR for Shower Stall</p>	<p>TWO-WALL TOILET COMPARTMENT BAR 42 x 54</p>
<p>B-68616</p>	<p>B-6861</p>	<p>B-6897</p>

continued . . .

MATERIALS:

Grab Bar — 18-8 S, type-304, 18-gauge (1.2mm) stainless steel tubing with satin-finish. 1-1/2" (38mm) outside diameter. Ends are heliarc welded to flanges. Clearance between the grab bar and wall is 1-1/2" (38mm).

Concealed Mounting Flanges — 18-8 S, type-304, 11-gauge (3.2mm) thick, stainless steel plate; end flanges 2" x 3-1/8" (50 x 80mm) with holes for attachment to wall. Intermediate flanges 2-5/8" x 3-1/8" (65 x 80mm) wide x 3-1/8" (80mm) diameter.

Snap Flange Covers — 18-8 S, type-304, 22-gauge (0.8mm) drawn stainless steel with satin-finish. 3-1/4" (85mm) diameter x 1/2" (13mm) deep. Each cover snaps over mounting flange to conceal mounting screws.

STRENGTH:

Bobrick grab bars that provide 1-1/2" (38mm) clearance from wall can support loads in excess of 900 pounds (408kg) if properly installed. Other grab bar configurations can support loads in excess of 250 pounds (113kg) if properly installed, complying with accessible design (including ADAAG in the U.S.A.) for structural strength

Safety Warning: Grab bars are no stronger than the anchors and walls to which they are attached and, therefore, must be firmly secured in order to support the loads for which they are intended. To avoid potential injury, the building owner or maintenance personnel should remove the grab bar from service if the grab bar is not adequately secured to wall or if there is any observed damage to the welds.

INSTALLATION:

Provide concealed anchor device or backing as specified or required in accordance with local building codes before wall is finished. Fasten concealed mounting flanges to anchor device or backing with at least two screws opposing each other in each flange. Snap flange covers over each mounting flange to conceal mounting screws. Concealed anchor devices and mounting screws are not included with Bobrick grab bars and must be specified as an accessory.

For Grab Bars with an Intermediate Flange(s), Pull Snap-Flange Covers away from mounting flanges. Place grab bar in desired mounting location. Use intermediate flange as a template to mark location of mounting screws at intermediate flange only. Mark screw locations at the center of the slot in the middle of the double-keyhole shaped mounting holes (2) in the intermediate flange. Remove grab bar from wall. Drive the intermediate flange mounting screws into wall at marked locations. **Note:** Make sure to leave a space of just over 1/8" (3.17mm) between the underside of the screw head and the wall. Install grab bar on the wall by placing the round ends of the intermediate flange double-keyhole shaped mounting holes over the mounting screws (2) are located in the middle of the flange slots. Install the mounting screws into the wall at the end flanges and secure tightly. Tighten the mounting screws at the intermediate flange. Press all snap-flange covers into place to conceal mounting flanges.

Note: Recommend use of 1/4" or #14 sheet metal or wood screws to install Intermediate Flange. #12 screws may also be used.

Important Notes:

- Mounting Kits** — Bobrick offers a mounting kit for installing grab bars; **one Bobrick mounting kit is required for each flange.**

Mounting Kit No.	Description
252-30	Consists of # (3) 14 x 2½" type-304 stainless steel, Phillips round-head, sheet-metal screws.

- Grab Bar Fastener** — Bobrick offers a grab bar fastening system that secures all Bobrick grab bar series; **one Bobrick fastener is required for each flange.** Install grab bar without backing in wall requires minimum 5/8" (16mm) thick painted or tiled drywall.

WingIt™ Fastener No.	Description
251-4	Consists of 10–32 x 5/16" round-head, Phillips 18/8 stainless steel screws. (1) WingIt grab bar fastener.

- Optional Anchor Device** — Bobrick grab bar anchor device includes stainless steel machine screws to be used for attaching grab bars to anchors. **one Bobrick concealed anchor device is required for each flange.**

Optional Anchor No.	Description
2583	Anchor for 3/4" to 1" (19-25mm) panel 1 anchor required for each flange.
2586	Anchor for 1/2" to 1" (13mm) panel 1 anchor required for each flange.

SPECIFICATION:

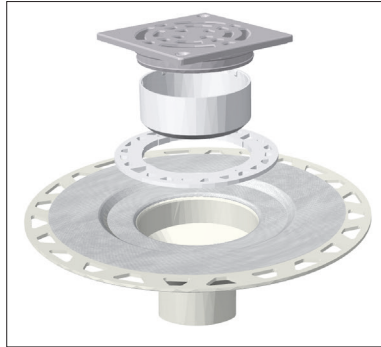
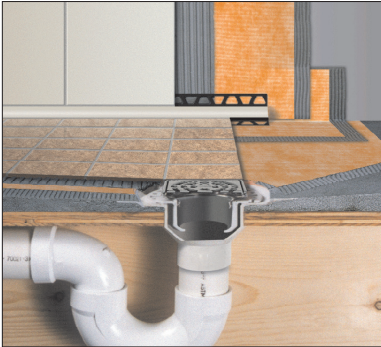
Grab bar shall be type-304 stainless steel with satin-finish. Grab bar shall have 18-gauge (1.2mm) wall thickness and 1-1/2" (38mm) outside diameter. Clearance between the grab bar and wall shall be 1-1/2" (38mm). Concealed mounting flanges shall be 11-gauge (3.2mm) thick stainless steel plate, 2" x 3-1/8" (50 x 80mm), and equipped with at least two screw holes for attachment to wall. Flange covers shall be 22 gauge (0.8mm), 3-1/4" (85mm) diameter x 1/2" (13mm) deep, and shall snap over mounting flange to conceal mounting screws and/or WingIt fasteners. Ends of grab bar shall pass through concealed mounting flanges and be heliarc welded to form one structural unit. Grab bar shall comply with accessible design (including ADAAG in the U.S.A.) for structural strength.

Grab Bar shall be Model _____ (insert model number) of Bobrick Washroom Equipment, Inc., Clifton Park, New York; Jackson, Tennessee; Los Angeles, California; Bobrick Washroom Equipment Company, Scarborough, Ontario; Bobrick Washroom Equipment Pty. Ltd., Australia; and Bobrick Washroom Equipment Limited, United Kingdom.



Product Item Numbers

8.2 Schluter®-KERDI-DRAIN





4" Grate Options		
Tileable Covering Support	Anodized Aluminum	Stainless Steel
<p>(ECS) Patent pending</p>	<p>Brushed nickel (ATGB)</p> <p>Brushed copper (AKGB)</p> <p>Brushed brass (AMGB)</p>	<p>Stainless steel (E)</p> <p>Chrome (EP)</p> <p>Oil-rubbed bronze (EOB)</p>

6" Grate Options	
Stainless Steel	Stainless Steel Cover for Cleanout Applications
<p>(6E)</p> <p>(6RE)</p>	<p>(6CE)</p> <p>(6RCE)</p>

Flange Options			
ABS - 2" or 3" Outlet	PVC - 2" or 3" Outlet	Stainless Steel - 2" or 3" No-hub Outlet	Stainless Steel - 2" Threaded Outlet



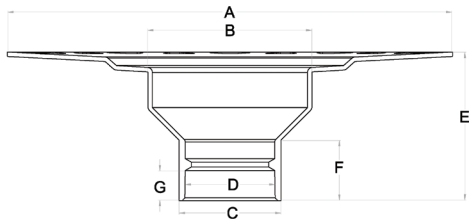
DRAIN KITS - ABS or PVC FLANGE - 2" OR 3" OUTLET

Schluter®-KERDI-DRAIN - Components - ABS or PVC Flange			
1	Includes	Description	Quantity
	1 KERDI-DRAIN	Drain with integrated bonding flange and grate assembly	1
	2 KERDI-KERECK-F	Preformed waterproofing corners	4 inside and 2 outside
	3 KERDI-SEAL-PS	Pipe seal (3/4" - 20 mm)	1
	4 KERDI-SEAL-MV	Mixing valve seal	1

2" Drain Outlet		
	ABS flange	PVC flange
4" (100 mm) Square Grate		
Tileable covering support (ECS)*	KD2/ABS/ECS ¹	KD2/PVC/ECS ¹
Stainless steel (E)	KD2/ABS/E ¹	KD2/PVC/E ¹
Chrome (EP)	KD2/ABS/EP ¹	KD2/PVC/EP ¹
Oil-rubbed bronze stainless steel (EOB)	KD2/ABS/EOB	KD2/PVC/EOB
Brushed brass anod. alu. (AMGB)	KD2/ABS/AMGB ¹	KD2/PVC/AMGB ¹
Brushed copper/ bronze anod. alu. (AKGB)	KD2/ABS/AKGB ¹	KD2/PVC/AKGB ¹
Brushed nickel anod. alu. (ATGB)	KD2/ABS/ATGB ¹	KD2/PVC/ATGB ¹
6" (150 mm) Square or Round Grate		
Square grate stainless steel (6E)	KD2/ABS/6E ¹	KD2/PVC/6E ¹
Round grate stainless steel (6RE)	KD2/ABS/6RE ¹	KD2/PVC/6RE ¹





3" Drain Outlet		
	ABS flange	PVC flange
6" (150 mm) Square or Round Grate		
Square grate stainless steel (6E)	KD3/ABS/6E ¹	KD3/PVC/6E ¹
Round grate stainless steel (6RE)	KD3/ABS/6RE ¹	KD3/PVC/6RE ¹

¹ Listed by ICC-ES (Report No. PMG-1204), UPC®, CSA, and NSF
 * Patent pending

Flange Measurements			
ABS or PVC			
	2" (50 mm) drain outlet	3" (75 mm) drain outlet	
	A	11-13/16" - 300 mm	11-13/16" - 300 mm
	B	4-17/32" - 115.2 mm	4-17/32" - 115.2 mm
	C	2-45/64" - 68.6 mm	3-15/16" - 100 mm
	D	2-3/8" - 60.5 mm	3-1/2" - 88.8 mm
	E	3-15/16" - 100 mm	3-15/16" - 100 mm
	F	1-39/64" - 40.6 mm	2" - 50.8 mm
	G	7/8" - 22.5 mm	1-1/2" - 38.1 mm



DRAIN KITS - STAINLESS STEEL FLANGE - 2" OR 3" NO-HUB OUTLET

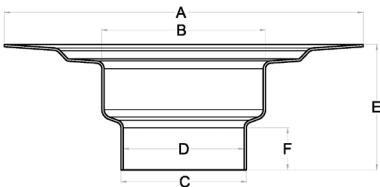
Schluter®-KERDI-DRAIN - Components - Stainless Steel Flange			
1	Includes	Description	Quantity
	1 KERDI-DRAIN	Drain with integrated bonding flange and grate assembly	1
	2 KERDI-KERECK-F	Preformed waterproofing corners	4 inside and 2 outside
  	3 KERDI-SEAL-PS	Pipe seal (3/4" - 20 mm)	1
	4 KERDI-SEAL-MV	Mixing valve seal	1
	5 KERDI-FIX	Sealing and bonding compound (66 ml)	1

2" No-hub Outlet	
	Stainless steel flange
4" (100 mm) Square Grate	
Tileable covering support (ECS)*	KD2/E/ECS ¹
Stainless steel (E)	KD2/E/E ¹
Chrome (EP)	KD2/E/EP ¹
Oil-rubbed bronze stainless steel (EOB)	KD2/E/EOB
Brushed brass anod. alu. (AMGB)	KD2/E/AMGB ¹
Brushed copper/ bronze anod. alu. (AKGB)	KD2/E/AKGB ¹
Brushed nickel anod. alu. (ATGB)	KD2/E/ATGB ¹
6" (150 mm) Square or Round Grate	
Square grate stainless steel (6E)	KD2/E/6E ¹
Round grate stainless steel (6RE)	KD2/E/6RE ¹

3" No-hub Outlet	
	Stainless steel flange
6" (150 mm) Square or Round Grate	
Square grate stainless steel (6E)	KD3/E/6E ¹
Round grate stainless steel (6RE)	KD3/E/6RE ¹

¹ Listed by ICC-ES (Report No. PMG-1204), UPC®, CSA, and NSF

* Patent pending

Flange Measurements			
Stainless steel			
		2" (50 mm) no-hub outlet	3" (75 mm) no-hub outlet
	A	9-27/32" - 250 mm	9-27/32" - 250 mm
	B	4-1/2" - 115.4 mm	4-1/2" - 114 mm
	C	2-13/32" - 61.3 mm	3-7/16" - 87.4 mm
	D	2-13/32" - 60.6 mm	3-5/16" - 84.2 mm
	E	3-11/32" - 85 mm	3-7/16" - 87.4 mm
	F	53/64" - 21 mm	1-5/32" - 29.4 mm



GRATE & FLANGE KITS (sold separately)

Grate Kit - Components		
		Patent pending
Includes	Description	Quantity
1a 1b Grate Assembly	a) For stainless steel and aluminum grates b) For tileable covering support	1
2 KERDI-KERECK-F	Preformed waterproofing corners	4 inside and 2 outside
3 KERDI-SEAL-PS	Pipe seal (3/4" - 20 mm)	1
4 KERDI-SEAL-MV	Mixing valve seal	1

Grate Kits	
Finish	Item No.
4" (100 mm) Square Grate	
Tileable covering support (ECS)*	KD2/ECS/GR
Stainless steel (E)	KD2/E/GR
Chrome (EP)	KD2/EP/GR
Oil-rubbed bronze stainless steel (EOB)	KD2/EOB/GR
Brushed brass anod. alu. (AMGB)	KD2/AMGB/GR
Brushed copper/ bronze anod. alu. (AKGB)	KD2/AKGB/GR
Brushed nickel anod. alu. (ATGB)	KD2/ATGB/GR
Stainless steel (E) with stainless steel height adjustment collar and lateral adjustment ring	KD2/E/E/GR
6" (150 mm) Square or Round Grate	
Square grate stainless steel (6E)	KD2/6E/GR
Round grate stainless steel (6RE)	KD2/6RE/GR
6" (150 mm) Square or Round Cover	
Square cover stainless steel (6CE)	KD-GR6C-E
Round cover stainless steel (6RCE)	KD-GR6RC-E

Note: 6" square and round covers do not include the seals and corners. * Patent pending

Product Listings and Certifications Table

Schluter®-KERDI-DRAIN											
Bonding Flange 2" (50 mm) Outlet	Grate - 4" (100 mm)						Grate - 6" (150 mm)				
	E	EOB	AMGB	AKGB	ATGB	ECS*	6E	6RE	6CE	6RCE	
ABS / PVC	1	-	1	1	1	1	1	1	2	2	
Stainless steel	1	-	1	1	1	1	1	1	2	2	
Bonding Flange 3" (75 mm) Outlet	Grate - 6" (150 mm)						6CE		6RCE		
	6E		6RE		6CE		6RCE				
ABS / PVC	1		1		2		2				
Stainless steel	1		1		2		2				

Various configurations of KERDI-DRAIN are listed by ICC-ES (Report No. PMG-1204), UPC®, CSA, and NSF as shown in the table above.

1 - Listed by ICC-ES (Report No. PMG-1204), UPC®, CSA, and NSF.

2 - Listed by CSA

* Patent pending

For copies of these documents, please contact Schluter®-Systems at 800-472-4588 (USA) or 800-667-8746 (Canada) or by email at info@schluter.com. Links to the documents can also be accessed at www.schluter.com.

Flange Kit - Components	
Includes	Quantity
Drain with integrated bonding flange	1



Flange Kits	
Material	Item No.
2" (50 mm) Drain Outlet	
ABS	KD2/ABS/FL
PVC	KD2/PVC/FL
Stainless Steel with no-hub outlet	KD2/E/FL
Stainless Steel with threaded outlet	KD2/ETH/FL
3" (75 mm) Drain Outlet	
ABS	KD3/ABS/FL
PVC	KD3/PVC/FL
Stainless Steel with no-hub outlet	KD3/E/FL



Please note that flanges with 3" outlets are intended for use with 6" grates as these combinations have listings and certifications while flanges with 3" outlet combined with 4" grates do not. Please refer to the Listings and Certifications table on page 14.

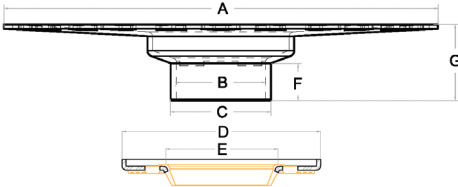


DRAIN ADAPTOR KIT FOR USE WITH RESIDENTIAL CLAMPING RING DRAINS - ABS

Schluter®-KERDI-DRAIN with residential adaptor ring and ABS flange			
	Includes	Description	Quantity
	1 KERDI-DRAIN	Drain with integrated bonding flange and grate assembly	1
	2 Adaptor ring*	For residential clamping ring drains	1
	3 KERDI-KERECK-F	Preformed waterproofing corners	4 inside and 2 outside
	4 KERDI-SEAL-PS	Pipe seal (3/4" - 20 mm)	1
	5 KERDI-SEAL-MV	Mixing valve seal	1
	6 KERDI-FIX	Sealing and bonding compound (66 ml)	1

* © Schluter-Systems L.P., U.S. patent No. D593,641, other patents pending

Residential Adaptor Kits - ABS Flange	
	ABS bonding flange
4" (100 mm) Square Grate	
Stainless steel (E)	KDAR/ABS/E
Chrome (EP)	KDAR/ABS/EP
Oil-rubbed bronze stainless steel (EOB)	KDAR/ABS/EOB
Brushed brass anod. alu. (AMGB)	KDAR/ABS/AMGB
Brushed copper/ bronze anod. alu. (AKGB)	KDAR/ABS/AKGB
Brushed nickel anod. alu. (ATGB)	KDAR/ABS/ATGB

Flange and adaptor ring measurements - Residential		
ABS		
	Standard	
	A	11-13/16" - 300 mm
	B	2-13/32" - 60.7 mm
	C	2.73" - 69.3 mm
	D	5-1/4" - 133.4 mm
	E	2-29/32" - 74 mm
	F	1-1/64" - 25.9 mm
	G	2-1/16" - 52.6 mm



DRAIN ADAPTOR KIT FOR USE WITH COMMERCIAL CLAMPING RING DRAINS - ABS

Schluter®-KERDI-DRAIN with commercial adaptor ring and ABS flange			
	Includes	Description	Quantity
	1 KERDI-DRAIN	Drain with integrated bonding flange and grate assembly	1
	2 Adaptor ring*	For commercial clamping ring drains	
	3 KERDI-FIX	Sealing and bonding compound (66 ml)	

* © Schluter-Systems L.P., U.S. patent No. D593,641, other patents pending

Commercial Adaptor Kits - ABS Flange		
	Standard ABS bonding flange	Extended ABS bonding flange
4" (100 mm) Square Grate		
Tileable covering support (ECS)*	KDA/ABS/ECS	KDA/ABSL/ECS
Stainless steel (E)	KDA/ABS/E	KDA/ABSL/E
Chrome (EP)	KDA/ABS/EP	KDA/ABSL/EP
Oil-rubbed bronze stainless steel (EOB)	KDA/ABS/EOB	KDA/ABSL/EOB
Brushed brass anod. alu. (AMGB)	KDA/ABS/AMGB	KDA/ABSL/AMGB
Brushed copper/ bronze anod. alu. (AKGB)	KDA/ABS/AKGB	KDA/ABSL/AKGB
Brushed nickel anod. alu. (ATGB)	KDA/ABS/ATGB	KDA/ABSL/ATGB
6" (150 mm) Square or Round Grate		
Square grate stainless steel (6E)	KDA/ABS/6E	KDA/ABSL/6E
Round grate stainless steel (6RE)	KDA/ABS/6RE	KDA/ABSL/6RE

* Patent pending

Flange and adaptor ring measurements - Commercial			
ABS			
		Standard	Extended
	A	11-13/16" - 300 mm	11-13/16" - 300 mm
	B	4-13/32" - 111.8 mm	4-13/32" - 111.8 mm
	C	4-11/16" - 118.9 mm	4-11/16" - 118.9 mm
	D	7-1/2" - 191 mm	7-1/2" - 191 mm
	E	5-7/64" - 130 mm	5-7/64" - 130 mm
	F	1-9/16" - 39.7 mm	3-1/16" - 77.8 mm
	G	2-9/64" - 54.3 mm	3-41/64" - 92.4 mm



DRAIN ADAPTOR KIT FOR USE WITH COMMERCIAL CLAMPING RING DRAINS - STAINLESS STEEL

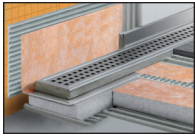
Schluter®-KERDI-DRAIN with commercial adaptor ring and stainless steel flange			
	Includes	Description	Quantity
	1 KERDI-DRAIN	Drain with integrated bonding flange and grate assembly	1
	2 Adaptor ring*	For commercial clamping ring drains	
	3 KERDI-FIX	Sealing and bonding compound (66 ml)	

* © Schluter-Systems L.P., U.S. patent No. D593,641, other patents pending

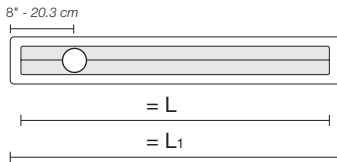
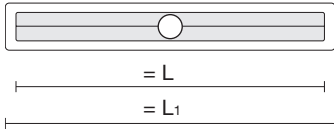
Commercial Adaptor Kits - Stainless Steel Flange	
	Stainless steel bonding flange
4" (100 mm) Square Grate	
Tileable covering support (ECS)*	KDA/E/ECS
Stainless steel (E)	KDA/E/E
Chrome (EP)	KDA/E/EP
Oil-rubbed bronze stainless steel (EOB)	KDA/E/EOB
Brushed brass anod. alu. (AMGB)	KDA/E/AMGB
Brushed copper/ bronze anod. alu. (AKGB)	KDA/E/AKGB
Brushed nickel anod. alu. (ATGB)	KDA/E/ATGB
6" (150 mm) Square or Round Grate	
Square grate stainless steel (6E)	KDA/E/6E
Round grate stainless steel (6RE)	KDA/E/6RE

* Patent pending

Flange and adaptor ring measurements - Commercial		
Stainless steel		
	Standard	
	A	9-27/32" - 250 mm
	B	4-9/16" - 115.7 mm
	C	4-11/16" - 118.7 mm
	D	7-1/2" - 191 mm
	E	5-7/64" - 130 mm
	F	1-9/16" - 39.7 mm
	G	2-3/16" - 56.5 mm



Note: There are multiple selections to be made for this product. Start by selecting the appropriate flange length then proceed to grate selection accordingly, keeping in mind there are two frame heights with two grate options (A or B), and a frameless option (D).

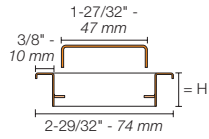


8.7 Schluter®-KERDI-LINE Bonding flange - stainless steel - center outlet

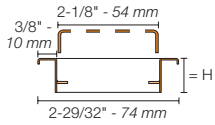
L = in. - cm	L ₁ = in. - cm	Item No.
19-11/16 - 50	21-11/16 - 55	KLVO 60 E 50
23-5/8 - 60	25-5/8 - 65	KLVO 60 E 60
27-9/16 - 70	29-9/16 - 75	KLVO 60 E 70
31-1/2 - 80	33-1/2 - 85	KLVO 60 E 80
35-7/16 - 90	37-7/16 - 95	KLVO 60 E 90
39-3/8 - 100	41-3/8 - 105	KLVO 60 E 100
43-5/16 - 110	45-5/16 - 115	KLVO 60 E 110
47-1/4 - 120	49-1/4 - 125	KLVO 60 E 120
51-3/16 - 130	53-3/16 - 135	KLVO 60 E 130
55-1/8 - 140	57-1/8 - 145	KLVO 60 E 140
59-1/16 - 150	61-1/16 - 155	KLVO 60 E 150
62-15/16 - 160	64-15/16 - 165	KLVO 60 E 160
66-7/8 - 170	68-7/8 - 175	KLVO 60 E 170
70-13/16 - 180	72-13/16 - 185	KLVO 60 E 180

8.7 Schluter®-KERDI-LINE Bonding flange - stainless steel - off-center outlet

L = in. - cm	L ₁ = in. - cm	Item No.
27-9/16 - 70	29-9/16 - 75	KLVO 60 E 70
31-1/2 - 80	33-1/2 - 85	KLVO 60 E 80
35-7/16 - 90	37-7/16 - 95	KLVO 60 E 90
39-3/8 - 100	41-3/8 - 105	KLVO 60 E 100
43-5/16 - 110	45-5/16 - 115	KLVO 60 E 110
47-1/4 - 120	49-1/4 - 125	KLVO 60 E 120



Closed (A) – brushed stainless steel



Perforated (B) – brushed stainless steel

8.7 Schluter®-KERDI-LINE

Grate assembly

Grate assembly - Brushed stainless steel



3/4" (19 mm) frame height for 1/8" to 9/16" (3 mm to 15 mm) -thick coverings

Length = in. - cm	Item No.	
	Closed (A)	Grille perforée (B)
19-11/16 - 50	KLAR 19 EB 50	KLB 19 EB 50
23-5/8 - 60	KLAR 19 EB 60	KLB 19 EB 60
27-9/16 - 70	KLAR 19 EB 70	KLB 19 EB 70
31-1/2 - 80	KLAR 19 EB 80	KLB 19 EB 80
35-7/16 - 90	KLAR 19 EB 90	KLB 19 EB 90
39-3/8 - 100	KLAR 19 EB 100	KLB 19 EB 100
43-5/16 - 110	KLAR 19 EB 110	KLB 19 EB 110
47-1/4 - 120	KLAR 19 EB 120	KLB 19 EB 120
51-3/16 - 130	KLAR 19 EB 130	KLB 19 EB 130
55-1/8 - 140	KLAR 19 EB 140	KLB 19 EB 140
59-1/16 - 150	KLAR 19 EB 150	KLB 19 EB 150
62-15/16 - 160	KLAR 19 EB 160	KLB 19 EB 160
66-7/8 - 170	KLAR 19 EB 170	KLB 19 EB 170
70-13/16 - 180	KLAR 19 EB 180	KLB 19 EB 180



1-1/8" (30 mm) frame height for 1/2" to 1" (13 mm to 25 mm) -thick coverings

19-11/16 - 50	KLAR 30 EB 50	KLB 30 EB 50
23-5/8 - 60	KLAR 30 EB 60	KLB 30 EB 60
27-9/16 - 70	KLAR 30 EB 70	KLB 30 EB 70
31-1/2 - 80	KLAR 30 EB 80	KLB 30 EB 80
35-7/16 - 90	KLAR 30 EB 90	KLB 30 EB 90
39-3/8 - 100	KLAR 30 EB 100	KLB 30 EB 100
43-5/16 - 110	KLAR 30 EB 110	KLB 30 EB 110
47-1/4 - 120	KLAR 30 EB 120	KLB 30 EB 120

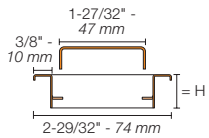
Grate assembly - Chrome



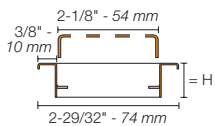
3/4" (19 mm) frame height for 1/8" to 9/16" (3 mm to 15 mm) -thick coverings

Length = in. - cm	Item No.	
	Closed (A)	Grille perforée (B)
19-11/16 - 50	KLAR 19 EP 50	KLB 19 EP 50
23-5/8 - 60	KLAR 19 EP 60	KLB 19 EP 60
27-9/16 - 70	KLAR 19 EP 70	KLB 19 EP 70
31-1/2 - 80	KLAR 19 EP 80	KLB 19 EP 80
35-7/16 - 90	KLAR 19 EP 90	KLB 19 EP 90
39-3/8 - 100	KLAR 19 EP 100	KLB 19 EP 100
43-5/16 - 110	KLAR 19 EP 110	KLB 19 EP 110
47-1/4 - 120	KLAR 19 EP 120	KLB 19 EP 120

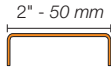
Note: The perforated grate (B) is also available with a locking mechanism to prevent removal of the grate. For more information contact customer service at 800-472-4588 (US) or 800-667-8746 (CANADA).



Closed (A) – Chrome



Perforated (B) – Chrome



Frameless Tileable (D)

Patent pending

Schluter®-KERDI-LINE

Grate assembly - Frameless Tileable (D)

Length = in. - cm	Item No.	
	Frameless Tileable (D) <i>Patent pending</i>	
	For use with channel body with center outlet	For use with channel body with off-set outlet
19-11/16 - 50	KLDRE 50	-
23-5/8 - 60	KLDRE 60	-
27-9/16 - 70	KLDRE 70	KLDRO E 70
31-1/2 - 80	KLDRE 80	KLDRO E 80
35-7/16 - 90	KLDRE 90	KLDRO E 90
39-3/8 - 100	KLDRE 100	KLDRO E 100
43-5/16 - 110	KLDRE 110	KLDRO E 110
47-1/4 - 120	KLDRE 120	KLDRO E 120
51-3/16 - 130	KLDRE 130	-
55-1/8 - 140	KLDRE 140	-
59-1/16 - 150	KLDRE 150	-
62-15/16 - 160	KLDRE 160	-
66-7/8 - 170	KLDRE 170	-
70-13/16 - 180	KLDRE 180	-

Product Listings and Certifications Table

Schluter®-KERDI-LINE

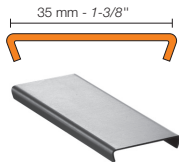
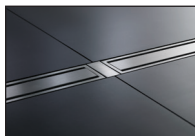
Bonding Flange	Grate		
	A	B	D*
Center outlet - 19-11/16" - 47-1/4" (50 cm - 120 cm)	1	1	1
Center outlet - 51-3/16" - 70-13/16" (130 cm - 180 cm)	1	1	1
Off-set outlet - 27-9/16" - 47-1/4" (70 cm - 120 cm)	1	1	1

Various configurations of KERDI-LINE are listed by ICC-ES (Report No. PMG-1204), UPC®, CSA, and NSF as shown in the table above.

1 - Listed by ICC-ES (Report No. PMG-1204), UPC®, CSA, and NSF.

* Patent pending

For copies of these documents, please contact Schluter®-Systems at 800-472-4588 (USA) or 800-667-8746 (Canada) or by email at info@schluter.com. Links to the documents can also be accessed at www.schluter.com.



14.1 Schluter®-KERDI-LINE-FC

Cover plate

Item No.	Width
V / KLEB 35	1-3/8" - 35 mm

Features

- Finish is engineered to resist corrosion and daily wear.
- Ergonomic handshower pivots for targeted hydromassage or rinsing the shower enclosure.
- Multifunction handshower with wide coverage, massage, soft aerated, and reduced flow options.
- MasterClean™ spray nozzles to prohibit mineral build-up for easy cleaning.
- Handshower offers 2.5 gal/min (9.5 l/min) maximum flow rate.
- Complements Stillness® and Purist® faucets and accessories.
- ADA non-positive shut-off.
- 30" (762 mm) sidebar length offers a custom shower at various heights

Installed component/s: Handshower, Sidebar, Supply elbow, and 60" metal shower hose.



ADA OBC

Codes/Standards

ASME A112.18.1/CSA B125.1
DOE - Energy Policy Act 1992
ADA
ICC/ANSI A117.1
OBC



KOHLER® Faucet Lifetime Limited Warranty

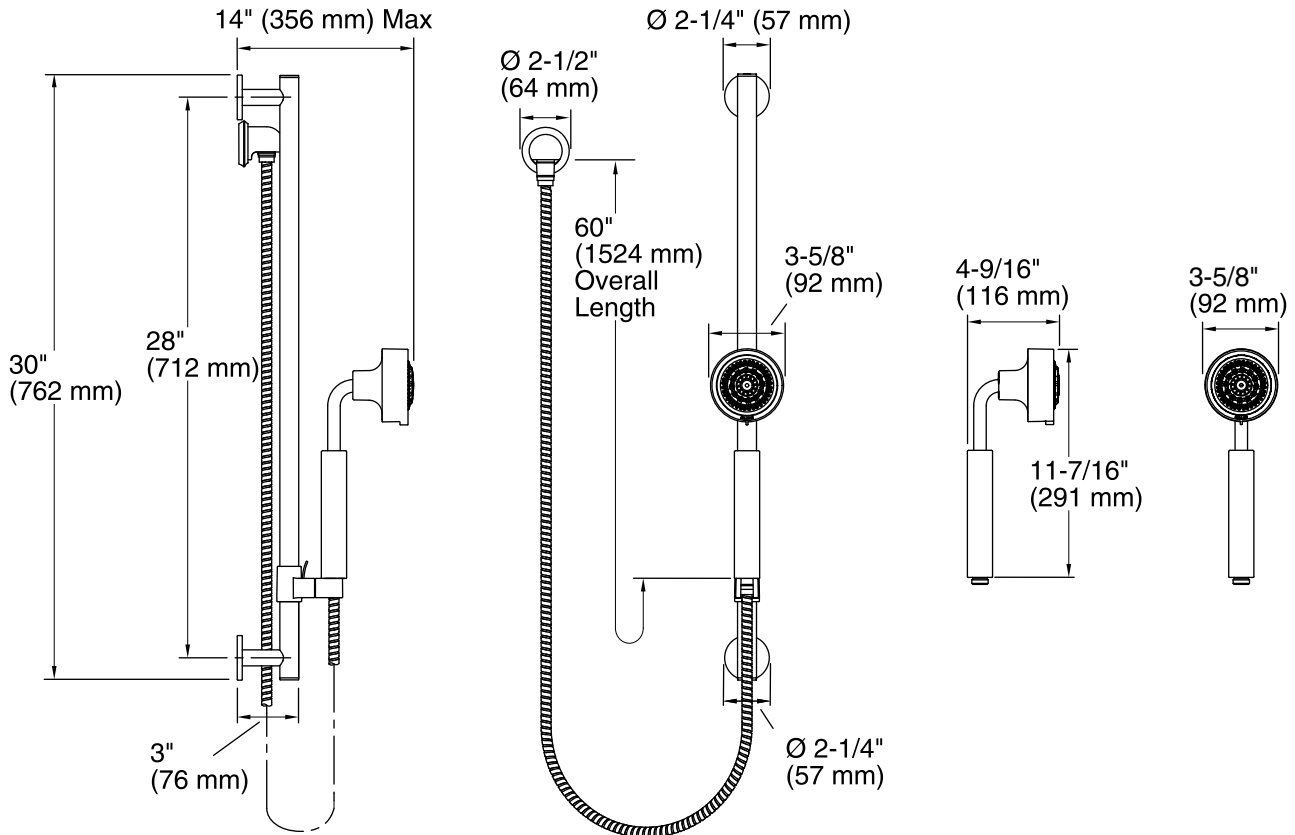
See website for detailed warranty information.

Available Color/Finishes

Color tiles intended for reference only.

Color Code Description

	CP	Polished Chrome
	BN	Vibrant® Brushed Nickel



Technical Information

All product dimensions are nominal.

Handshower:

Rated maximum flow: 2.5 gal/min (9.5 l/min)

Pressure: 80 psi (5.5 bar)

Notes

Install this product according to the installation guide.

IMPORTANT! The slidebar must be mounted to stud framing at both the top and bottom mounting locations. Do not use or depend on plastic wall anchors to attach the slidebar.

Plumbing codes may require an atmospheric vacuum breaker (such as the KOHLER K-9660) be installed in-line to handshowers. Consult with local plumbing codes.

ADA, OBC compliant when installed to the specific requirements of these regulations.

Features

- Advanced spray engine provides three alternate experiences: wide coverage, intense drenching, and targeted spray.
- Wide coverage spray produces an encompassing spray for everyday use.
- Intense drenching spray delivers a forceful spray ideal for rinsing soap from hair.
- Targeted spray is a focused stream for targeting sore muscles or use as a utility spray.
- Simple thumb tab allows for a smooth transition between sprays.
- MasterClean™ sprayface is easy to clean.
- 2.0 gpm (gallons per minute) showerhead/handshower flow rate.
- Patent-pending technology allows for an easy shower installation.
- Slidebar bracket allows you to adjust height and angle of handshower.
- Diverter at the base of the column makes for easy toggling between handshower and showerhead.

Installation

- Wall-mount.
- For use in shower-only installations.
- Installs in less than 60 minutes without changes to in-wall plumbing (subject to condition of existing installation).
- May require additional service parts based on installation type (see installation guide or specification sheet for details).
- Includes an adapter that will fit with most installations but may require K-1194630, K-1187917, or K-1194302. Refer to the specification sheet for more information.

Components

Product includes:

- K-72415 Multifunction Handshower
- K-45982 Shower Hose
- K-45906 Shower Column
- K-72419 Multifunction Showerhead



ADA

Codes/Standards

ASME A112.18.1/CSA B125.1
DOE - Energy Policy Act 1992
EPA WaterSense®
California Energy Commission (CEC)
ADA
ICC/ANSI A117.1

KOHLER® Faucet Lifetime Limited Warranty

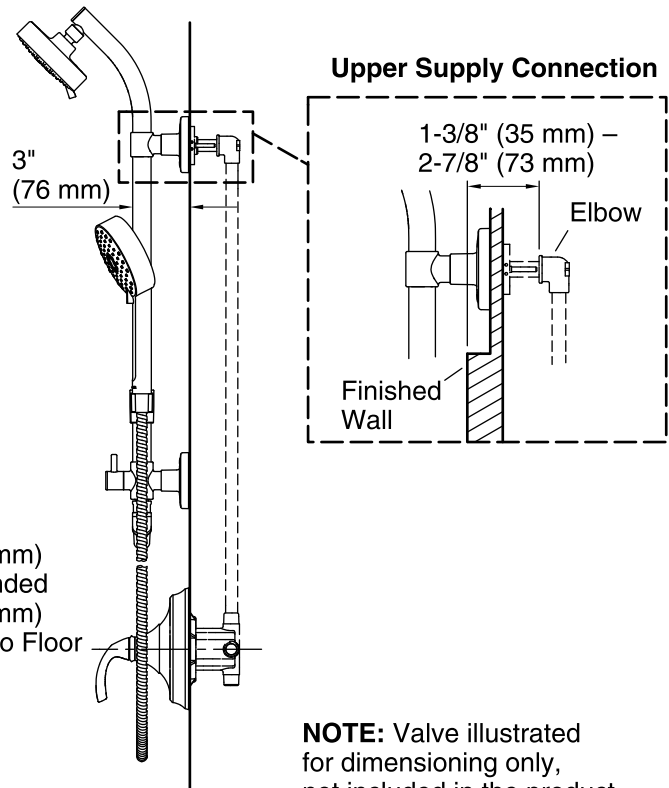
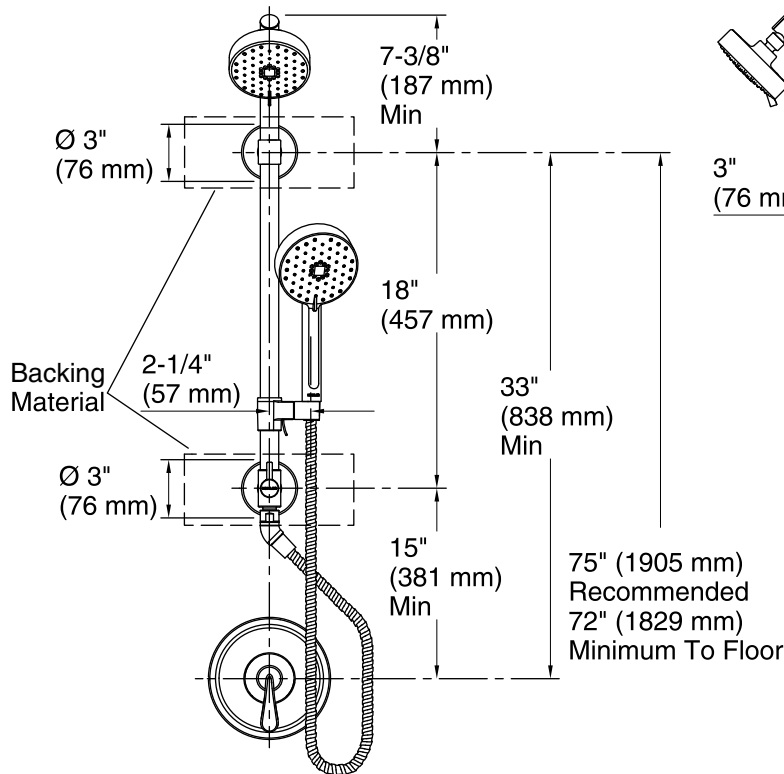
See website for detailed warranty information.

Available Color/Finishes

Color tiles intended for reference only.

Color	Code	Description
	CP	Polished Chrome
	BN	Vibrant® Brushed Nickel





Technical Information

All product dimensions are nominal.

Handshower:

Rated maximum flow: 2 gal/min (7.6 l/min)

Pressure: 45 psi (3.1 bar)

Showerhead:

Rated maximum flow: 2 gal/min (7.6 l/min)

Pressure: 45 psi (3.1 bar)

Notes

Install this product according to the installation guide.

IMPORTANT! The sidebar must be mounted to stud framing at both the top and bottom mounting locations. Do not use or depend on plastic wall anchors to attach the sidebar.

Plumbing codes may require that an atmospheric vacuum breaker be installed in-line to handshowers. Consult with local codes.

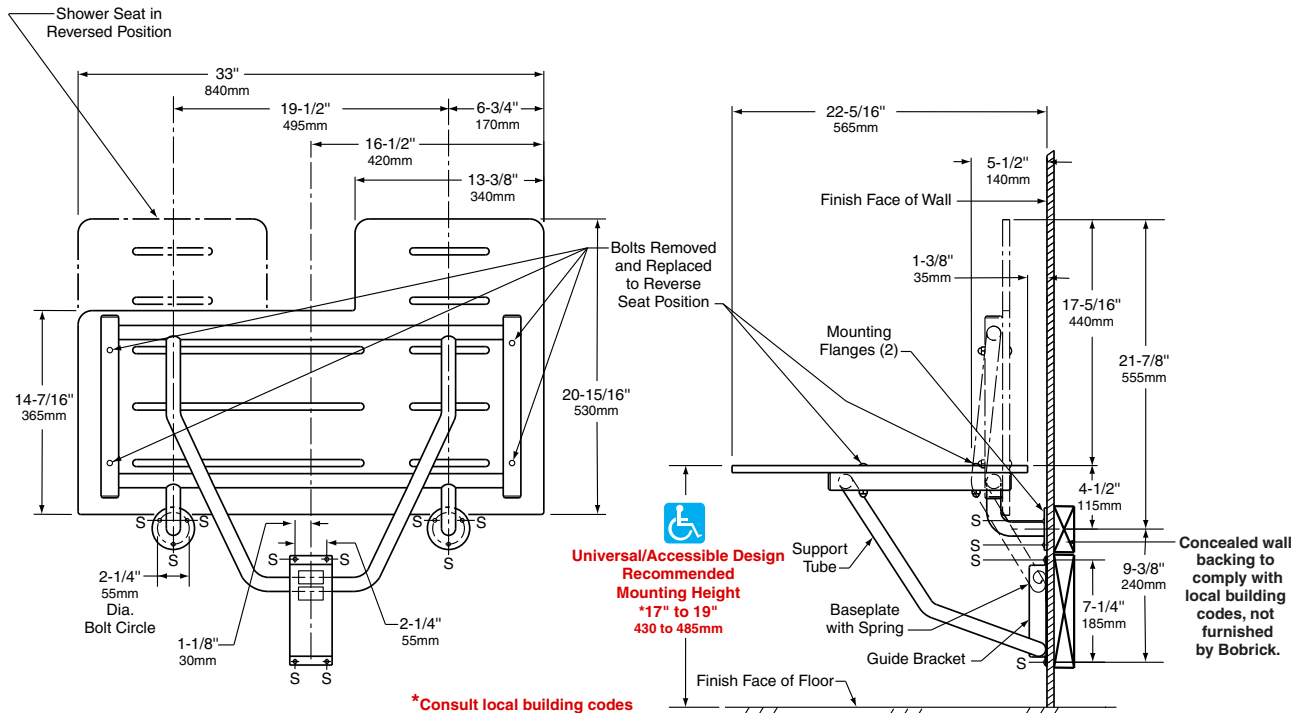
ADA compliant when installed to the specific requirements of these regulations.



Technical Data

REVERSIBLE SOLID PHENOLIC FOLDING SHOWER SEAT

B-5181



Left-Hand Seat Shown

MATERIALS:

Seat — One-piece, 1/2" (13mm) thick, solid phenolic with matte-finish, antique white-colored, melamine surfaces and black phenolic-resin core — cannot delaminate. Integral slots for water drainage. Secured to frame with stainless steel carriage bolts and acorn nuts. Reversible for left- or right-hand installation in the field.

Frame — 18-8, type-304, stainless steel with satin finish. 16-gauge (1.6mm), 1-1/4" (30mm) square tubing and 18-gauge (1.2mm), 1" (25mm) diameter seamless tubing.

Mounting Flanges (2) — 18-8, type-304, 3/16" (5mm) thick stainless steel with satin finish. 3" (75mm) diameter with three mounting screw holes.

Baseplate — 18-8, type-304, heavy-gauge stainless steel.

Spring — 17-7, type-301, 24-gauge (0.6mm) stainless steel. Spot-welded to baseplate.

Guide Bracket — 18-8, type-304, 16-gauge (1.6mm) stainless steel with satin finish.

continued . . .

OPERATION:

Shower seat folds up against wall when not in use. The spring at the top of the baseplate holds seat in upright position until released by pulling the top of the seat away from the wall. Mounting flanges and guide bracket allow for varying mounting heights and leave the floor clear for easy cleaning. Nonporous solid phenolic seat has slots to permit water to drain, does not splinter or require oiling, and will not support growth of bacteria. Slotless round-head carriage bolts and acorn nuts provide additional safety to user. Bobrick shower seats, when properly installed, have sufficient strength to support 360 lbs., (163 kg) complying with accessible design guidelines (including ADAAG in the U.S.A.).

INSTALLATION:

Installation to Wall. Secure unit to wall at points indicated by an S, with the two mounting flanges located at top and the baseplate and guide bracket below. The bottom of the support tube must be positioned within the baseplate and guide bracket before they are secured to wall. Mounting height of shower seat must comply with local building codes.

For stud walls, provide concealed backing to comply with local building codes and secure with #14 x 2-1/2" (6.3 x 65mm) stainless steel sheet-metal screws furnished by manufacturer.

For prefabricated shower stalls, provide adequate backing by the shower stall manufacturer. Secure with #14 x 2-1/2" (6.3 x 65mm) stainless steel mounting screws furnished by manufacturer. Bobrick offers a mounting kit for installing shower seats. For additional mounting kits please order 252-30. One mounting kit is required for each flange.

For masonry walls, provide fiber plugs or expansion shields for use with furnished screws, or provide 1/4" (6mm) toggle bolts or expansion bolts.

INSTALL SAFETY PLATE TO WALL:

Safety Plate is to be mounted on wall near Shower Seat in order to properly advise users of the Seat's weight restrictions. Correct installation of the Safety Plate will ensure that the Shower Seat meets A.N.S.I. Standards.

Permanently affix Safety Plate to wall on either side of the Shower Seat at a minimum height of 30" (760mm). If mounted above Seat, the Plate must be high enough so that it is not covered when Seat is on the up position. Mounting screws (4) are recommended, but double-sided tape on rear of Plate may be used for very smooth, non-porous surfaces.

SAFETY WARNING: Shower seats are no stronger than the anchors and walls to which they are attached and must be firmly secured in order to support the loads for which they are intended. Consult and comply with local building codes. To avoid potential injury, the building owner or maintenance personnel should remove the shower seat from service if the shower seat is not adequately secured to the wall. Unit shall support static loads of up to 360 lbs (163 kg) when properly installed and used. To avoid potential seat malfunction, DO NOT use seat if weight exceeds 360 lbs (163 kg).

How to Reverse Shower Seat. The solid phenolic shower seat surface may be positioned on the stainless steel frame with the longer 20-15/16" (530mm) side on the left or right. The repositioning of the shower seat surface may be done on the frame before installation on the wall, or after the unit has been installed.

If repositioning the seat surface before installation of the unit on the wall; place entire unit on a horizontal surface; remove carriage bolts and acorn nuts (4); turn seat over reversing position of long and short ends; reinstall carriage bolts and acorn nuts.

If repositioning the seat surface after the unit has been installed on the wall; lower folding seat to horizontal position; remove carriage bolts and acorn nuts (4); turn seat over reversing position of long and short ends; reinstall carriage bolts and acorn nuts.

Important Notes: Support square frame tubes when loosening and removing carriage bolts and acorn nuts; the square frame tubes may separate from the round tubes that support the solid phenolic shower seat. If square and round frame tubes come apart when solid phenolic shower seat is removed, reassemble by placing round frame tube ends in the round holes on the sides of the square frame tubes.

SPECIFICATION:

Reversible folding shower seat shall have a frame constructed of type-304, satin-finish stainless steel that consists of 16-gauge (1.6mm), 1-1/4" (30mm) square tubing and 18-gauge (1.2mm), 1" (25mm) diameter seamless tubing. Seat shall be one-piece, 1/2" (13mm) thick, solid phenolic with matte-finish, antique white-colored, melamine surfaces, and black phenolic-resin core; secured to frame with stainless steel carriage bolts and acorn nuts. Seat shall be reversible for left- or right-hand installation in the field. Shower seat shall be equipped with two 3" (75mm) diameter mounting flanges constructed of type-304, 3/16" (5mm) thick, satin-finish stainless steel; a guide bracket constructed of type-304, 16-gauge (1.6mm), satin-finish stainless steel; and a spring constructed of type-301, 24-gauge (0.6mm) stainless steel that is spot-welded to a baseplate of type-304, heavy-gauge stainless steel. Seat shall remain in upright position when not in use. Shower seat shall comply with accessible design guidelines (including ADAAG in the U.S.A.).

Reversible Folding Shower Seat shall be Model B-5181 of Bobrick Washroom Equipment, Inc., Clifton Park, New York; Jackson, Tennessee; Los Angeles, California; Bobrick Washroom Equipment Company, Scarborough, Ontario; Bobrick Washroom Equipment Pty. Ltd., Australia; and Bobrick Washroom Equipment Limited, United Kingdom.

Features

- Metal construction.
- Brass valve bodies.
- Quarter-turn washerless ceramic disc valves.
- Lever handles are ADA compliant.
- Pop-up drain with tailpiece.
- 4" (102 mm) spout reach.
- Stationary spout.
- For 8" (203 mm) or 16" (406 mm) centers.
- 1.2 gal/min (4.5 l/min) maximum flow rate [max at 60 psi (4.14 bar)].



ADA **CSA B651** **OBC**

Codes/Standards

ASME A112.18.1/CSA B125.1

NSF 61

NSF 372

All applicable US Federal and State material regulations

DOE - Energy Policy Act 1992

EPA WaterSense®

California Energy Commission (CEC)

ADA

ICC/ANSI A117.1

CSA B651

OBC

KOHLER® Faucet Lifetime Limited Warranty

See website for detailed warranty information.

Available Color/Finishes

Color tiles intended for reference only.

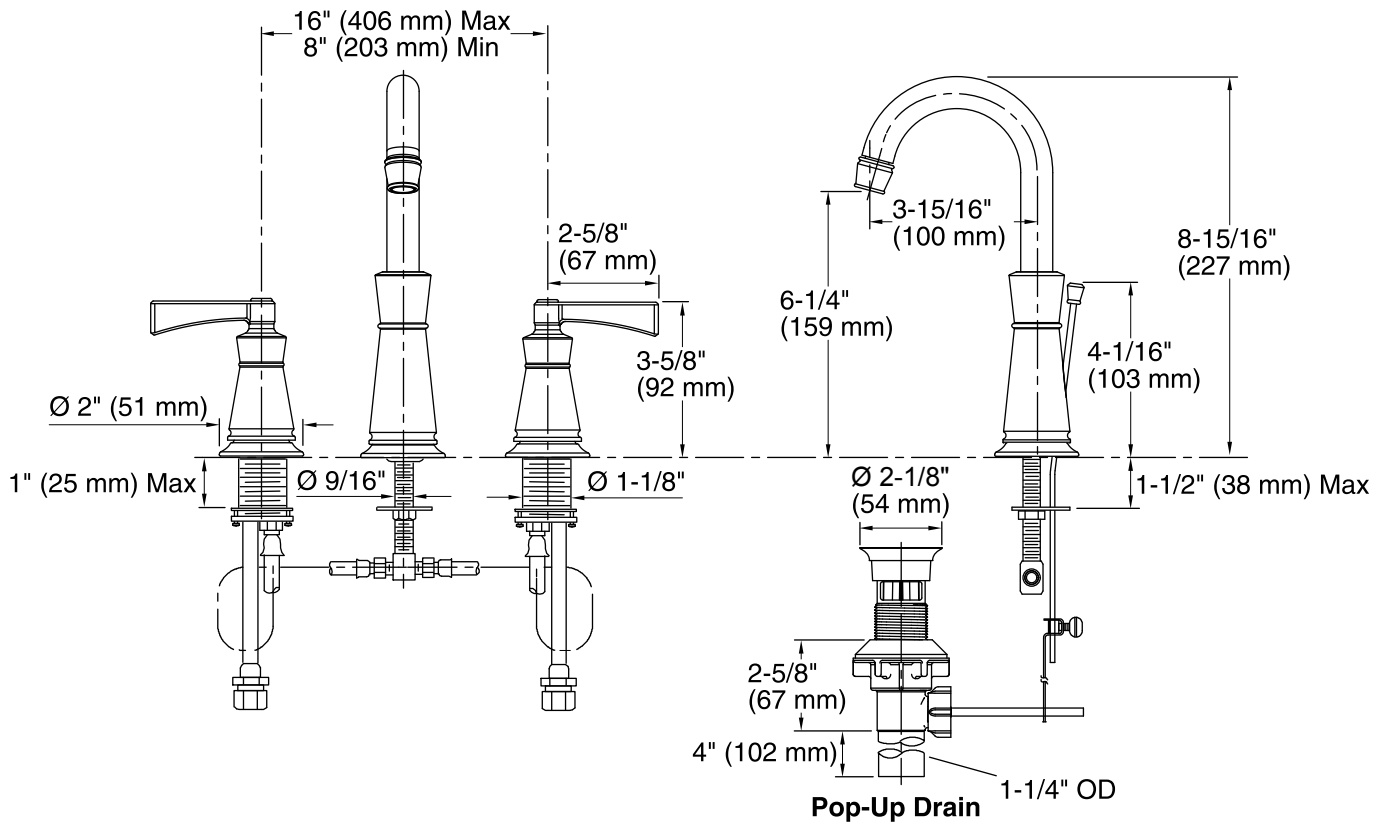
Color	Code	Description
-------	------	-------------



CP Polished Chrome



BN Vibrant® Brushed Nickel



Technical Information

All product dimensions are nominal.

Drain included: YES

Drain tailpiece included: YES

Spout:

Spout reach: 3-15/16" (100 mm)

Handle clearance: 2-5/8" (67 mm)

Faucet:

Flow rate: 1.2 gal/min (4.5 l/min)

Pressure: 60 psi (4.1 bar)

Notes

Install this product according to the installation guide.

ADA, OBC, CSA B651 compliant when installed to the specific requirements of these regulations.



Technical Data

**GLASS MIRROR WITH
STAINLESS STEEL
ANGLE FRAME**

**B-290
SERIES**

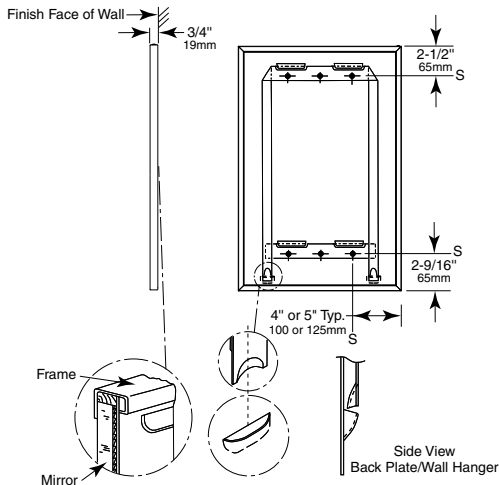


Designer's Notes:

1. Special-order sizes available on request.
2. Maximum size one-piece angle-frame mirror, 144" x 72" (366 x 183cm); minimum size, 12" x 12" (30 x 30cm). Maximum frame size available, 180" x 72" (457 x 183cm) with two pieces of glass in one-piece frame. Stainless steel I-section with polished finish covers seam where two pieces of glass butt together.
3. All Bobrick framed mirrors are manufactured to overall width and height dimensions. EXAMPLE: A 24" x 36" (61 x 91cm) mirror will be furnished 24" x 36" (61 x 91cm) outside-of-frame to outside-of-frame.
4. To specify special sizes use Series Number followed by width then height in inches. EXAMPLE: B-290 2024.
5. Bobrick framed mirrors are manufactured to a tolerance $\pm 1/8"$ (3.2mm).
6. For sufficient space to lift mirror onto wall hanger(s), provide 3-1/4" (85mm) for Snap Locking Design; 5-3/8" (137mm) for Lock Tab Design minimum clearance above center line of mounting screw holes.
7. Provide 1" (25mm) minimum clearance at bottom of mirror for unlocking mirror from wall and 1/2" (12.7mm) clearance on each side.

**Snap Locking Design
(Rear View)**

Figure: 1

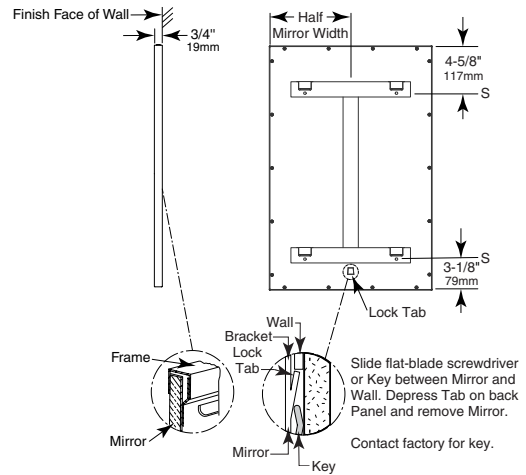


STANDARD B-290 SERIES MIRRORS

MODEL NO.	OVERALL SIZE	
	W	H
B-290 1830	18" (46cm)	30" (76cm)
B-290 1836	18" (46cm)	36" (91cm)
B-290 2430	24" (61cm)	30" (76cm)
B-290 2436	24" (61cm)	36" (91cm)

**Lock Tab Design
(Rear View)**

Figure: 2



STANDARD B-290 SERIES MIRRORS

MODEL NO.	OVERALL SIZE	
	W	H
B-290 2448	24" (61cm)	48" (122cm)
B-290 2460	24" (61cm)	60" (152cm)
B-290 2472	24" (61cm)	72" (183cm)

All Other Size Mirrors

Note: Mirrors greater than 30" in width will have multiple hanger brackets with a typical 8" off each edge.

Width	Hangers
Up to 30" (Up to 76cm)	1
31" to 41" (78 to 104cm)	2
42" to 72" (106 to 183cm)	3
73" to 91" (185 to 231cm)	4
92" to 116" (233 to 294cm)	5
117" to 144" (297 to 365cm)	6

MATERIALS:

Frame — 18-8, heavy-gauge stainless steel, 3/4" x 3/4" (19 x 19mm) angle with satin finish. One-piece, roll-formed construction forms continuous integral stiffener on all sides. Bevel design on front of angle holds frame tightly against mirror. Corners of mirror frame are heliarc welded, ground and polish smooth. Galvanized steel back is fastened to frame with concealed screws and equipped with integral horizontal hanging brackets near the top and bottom of the mirror for hanging the mirror and to prevent the mirror from pulling away from the wall. Locking devices secure mirror to concealed wall hanger.

continued . . .

Mirror — No. 1 quality, 1/4" (6mm) select float glass (standard glass): selected for silvering, electrolytically copper-plated by the galvanic process, and guaranteed for 15 years against silver spoilage. All edges protected by plastic filler strips; back is protected by full-size, shock-absorbing, water-resistant, nonabrasive, 3/16" (5mm) thick polyethylene padding.

Concealed Wall Hanger — Galvanized steel construction. Incorporates upper and lower support members, which engage lower backplate louvers to keep bottom of mirror against wall

INSTALLATION:

Mount wall hanger on wall with screws (not furnished) at points indicated by an S. For plaster or dry wall construction, provide backing to comply with local building codes, then secure wall hanger with screws (not furnished). When providing a concealed backing, allow backing to cover range of mounting hole locations shown on drawing. For other wall surfaces, provide fiber plugs or expansion shields for use with screws (not furnished), or provide 1/8" (3mm) toggle bolts or expansion bolts. Hang mirror on wall hanger with all four backplate louvers engaged behind horizontal wall hanger members. To do this, mirror must be centered in front of the wall hanger horizontally, pressed flat against the wall approximately 1" (25mm) above final position and then lowered into final position.

Snap Locking Design — Locking devices automatically secure mirror to concealed wall hanger when it is lowered into final position (see figure 3). Locking devices may be unlocked by inserting two flat blade screwdrivers behind each side of mirror near the bottom or under the bottom of the mirror and pulling mirror bottom forward and then up.

Lock Tab Design — Locking devices automatically secure mirror to concealed wall hanger when it is lowered into final position (see figure 4). Locking device may be unlocked by sliding a flat-blade screwdriver or Key between mirror and wall at center of mirror and depressing tab on back panel. If key is required, please contact the factory.

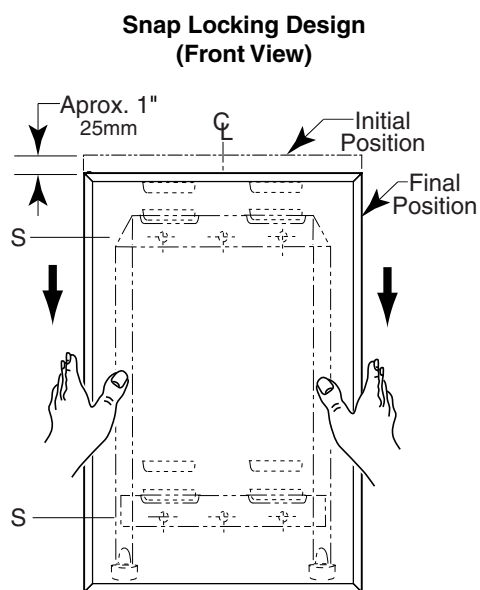


Figure: 3

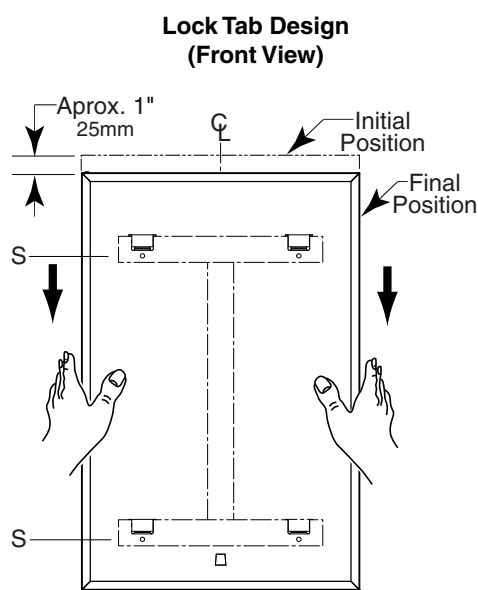


Figure: 4

SPECIFICATION:

Mirror shall have a one-piece, stainless steel angle frame, 3/4" x 3/4" (19 x 19mm) with continuous integral stiffener on all sides and beveled front to hold frame tightly against mirror; corners shall be heliarc welded, ground, and polished smooth; all exposed surfaces shall have satin finish. Reflective surfaces shall be guaranteed for 15 years against silver spoilage. All edges shall be protected by plastic filler strips and the back shall be protected by full-size, shock-absorbing, water-resistant, nonabrasive, 3/16" (5mm) thick polyethylene padding. Galvanized steel back shall have integral horizontal hanging brackets located at top and bottom for mounting on concealed wall hanger and to prevent the mirror from pulling away from the wall. Locking devices secure mirror to concealed wall hanger. Mirror shall be removable from wall hanger for reglazing mirror.

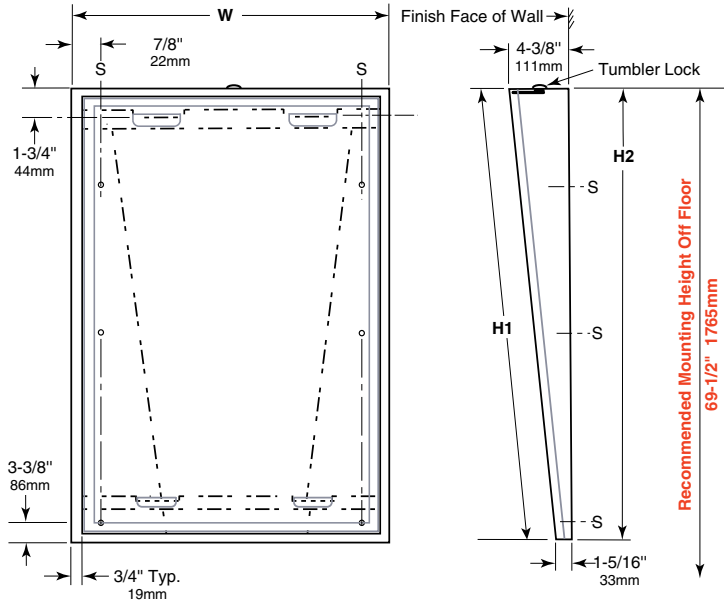
Framed Mirror shall be Model B-290 _____ (insert width and height) of Bobrick Washroom Equipment, Inc., Clifton Park, New York; Jackson, Tennessee; Los Angeles, California; Bobrick Washroom Equipment Company, Scarborough, Ontario; Bobrick Washroom Equipment Pty. Ltd., Australia; and Bobrick Washroom Equipment Limited, United Kingdom.



Technical Data

TILT MIRROR WITH STAINLESS STEEL FRAME

B-293 SERIES



STANDARD STOCK SIZES

MODEL NO.	MIRROR SIZE		OVERALL SIZE	
	W	H1	W	H2
B-293 1830	18" (46cm)	30" (76cm)	18" (46cm)	30-3/16" (77cm)
B-293 1836	18" (46cm)	36" (91cm)	18" (46cm)	36-3/16" (92cm)
B-293 2436	24" (61cm)	36" (91cm)	24" (61cm)	36-3/16" (92cm)

Other sizes up to 40" x 40" (101 x 122cm) or 48" x 36" (122 x 91cm) are available on special order; minimum size available, 16" x 24" (41 x 61cm). Design not as shown

MATERIALS:

Mirror Frame — 18-8, type 304, heavy-gauge stainless steel, $3/4" \times 3/4"$ (19 x 19mm) angle with vertical-grain satin finish. One piece, roll-formed construction forms continuous integral stiffener on all sides. Bevel design on front of angle holds frame tightly against mirror. Corners of mirror frame are heliarc welded, ground and polish smooth. Galvanized steel back is fastened to frame with concealed screws and equipped with integral horizontal hanging brackets near the top and bottom of the mirror for hanging the mirror and to prevent the mirror from pulling away from the wall frame.

Wall Frame — 18-8, type 304, heavy-gauge stainless steel with satin finish. Tapers from $4-3/8"$ (111mm) depth at top to $1-5/16"$ (33mm) depth at bottom. Wall Frame furnished with tumbler lock to secure mirror to wall frame.

Designer's Note: Type 304 stainless steel provides superior corrosion resistance, compared to 400 Series stainless steel, against environmental moisture, hose-down maintenance and strong cleaning solutions.

Mirror — No. 1 quality, $1/4"$ (6mm) select float glass, selected for silvering; electrolytically copper-plated by the galvanic process, guaranteed for 15 years against silver spoilage. All edges are polished and protected by plastic filler strips; back is protected by full-size, shock-absorbing, water-resistant, nonabrasive, $1/8"$ (3mm) thick polystyrene padding.

OPERATION:

Mirror is designed to provide full visibility for wheelchair patients in hospitals and nursing homes.

INSTALLATION:

For complete installation instructions please follow 293-69 installation instruction sheet.

SPECIFICATION:

Tilt mirror assembly shall consist of a mirror and a separate wall frame with built-in wall hanger. Wall frame furnished with tumbler lock for securing mirror to wall frame. Tilt mirror frame shall be type 304 stainless steel with beveled front to hold frame tightly against mirror; corners shall be welded, ground, and polished smooth. Wall frame shall be type 304 stainless steel designed with horizontal locking bars to secure mirror to wall frame. All exposed surfaces shall have satin finish with vertical grain. Select float glass mirror shall be guaranteed for 15 years against silver spoilage. All edges shall be protected by plastic filler strips. Back shall be protected by full-size, shock-absorbing, water-resistant, nonabrasive, $1/8"$ (3mm) thick polystyrene padding.

Tilt Mirror shall be Model B-293 _____ (insert width and height) of Bobrick Washroom Equipment, Inc., Clifton Park, New York; Jackson, Tennessee; Los Angeles, California; Bobrick Washroom Equipment Company, Scarborough, Ontario; Bobrick Washroom Equipment Pty. Ltd., Australia; and Bobrick Washroom Equipment Limited, United Kingdom.



Highline®
 Comfort Height Two-piece Toilet
K-5296-RA

Features

- Vitreous china.
- Comfort Height® Round-front bowl.
- Class Five® flushing system.
- Includes right-hand polished chrome trip lever.
- 1.28 gpf (4.8 lpf).
- 2-1/8" (54 mm) fully glazed trapway.
- 12" (305 mm) rough-in.
- Less seat and supply line.
- 10.5" (267 mm) x 8.25" (210 mm) water area.
- 27-3/4" (705 mm) x 19-3/8" (498 mm) x 30-3/8" (772 mm).
- Floor mount / Floor outlet.



Optional Accessories

- K-4639 Toilet Seat
- K-7637 Angle Supply with Stop (single)

Components

Product includes:
 K-5393 Comfort Height® Round-Front Bowl
 K-4436-RA Toilet Tank
 Additional included component/s: Tank cover, Trip lever, and Bolt cap accessory pack.



Codes/Standards




ASME A112.19.2/CSA B45.1
 DOE - Energy Policy Act 1992
 EPA WaterSense®
 California Energy Commission (CEC)

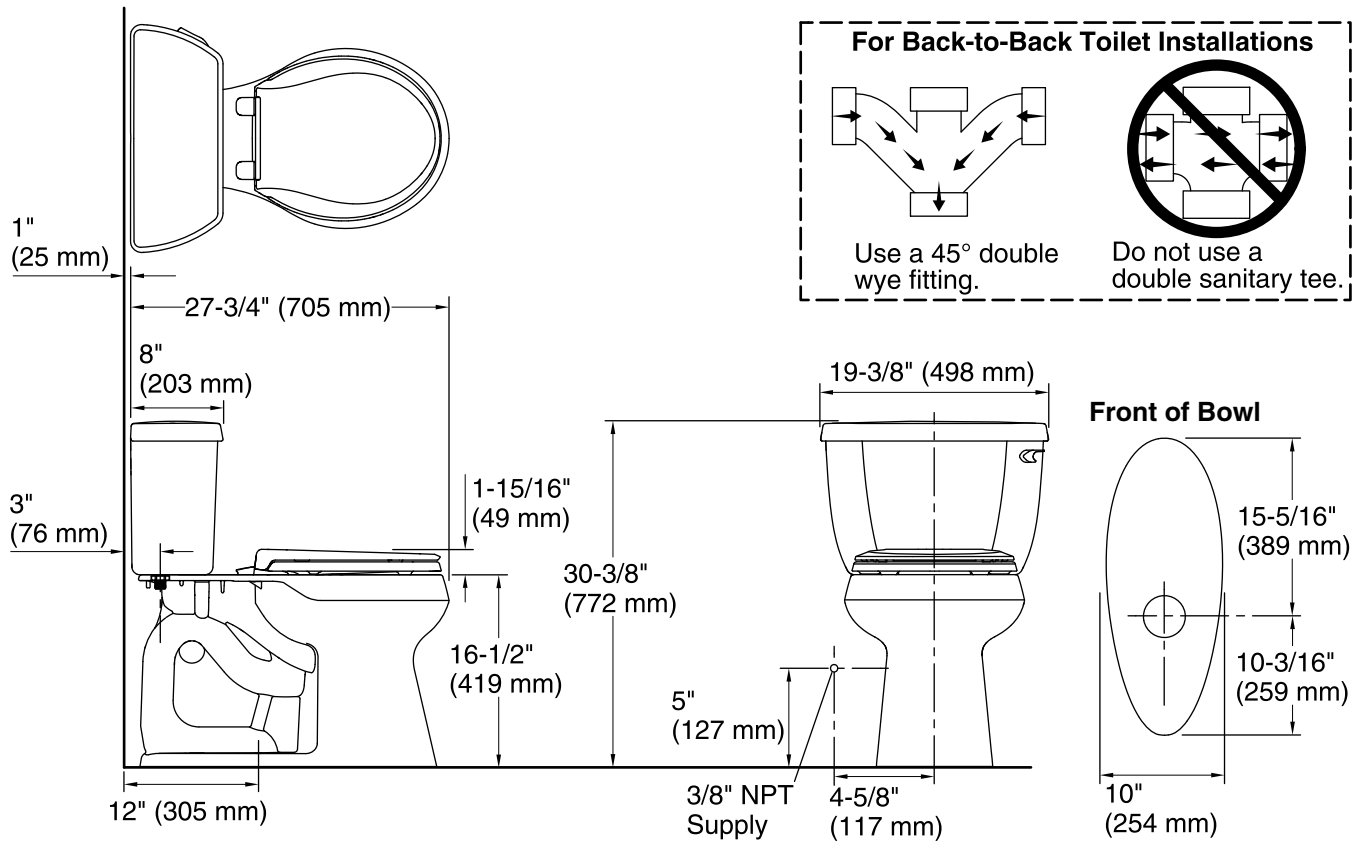
KOHLER® One-Year Limited Warranty

See website for detailed warranty information.

Available Color/Finishes

Color tiles intended for reference only.

Color	Code	Description
	0	White
	96	Biscuit
	47	Almond



Technical Information

All product dimensions are nominal.

Toilet type:	Two-piece, Floor-mount
Waste Outlet:	Floor
Bowl shape:	Round front
Flush type:	Class Five
Trap passageway:	2-1/8" (54 mm)
Water Consumption	
Full:	1.28 gpf (4.8 lpf)
Water surface size:	10-1/2" x 8-1/4" (267 mm x 210 mm)
Rim to water surface:	5-3/8" (137 mm)
Rough-in:	12" (305 mm)
Seat-mounting holes:	5-1/2" (140 mm)

Notes

Install this product according to the installation instructions.

For back-to-back toilet installations: Use only a 45° double wye fitting.



Grip-Tight Cachet® Q3™

Toilet Seat
K-4639

Features

- Solid polypropylene plastic.
- Round closed-front.
- Contoured seat for user comfort.
- Quiet-Close™ lid and ring prevents slamming.
- Quick-Release™ hinge caps snap open and seat pulls forward for removal.
- Quick-Attach™ stainless steel fastener allows for top-mount screwdriver only install.
- Grip-tight bumpers hold seat firmly in place.



Codes/Standards











IAPMO/ANSI Z124.5

KOHLER® One-Year Limited Warranty

See website for detailed warranty information.

Available Color/Finishes

Color tiles intended for reference only.

Color	Code	Description
	0	White
	96	Biscuit
	47	Almond
	NY	Dune
	95	Ice™ Grey
	G9	Sandbar
	33	Mexican Sand™
	K4	Cashmere
	58	Thunder™ Grey
	7	Black Black™

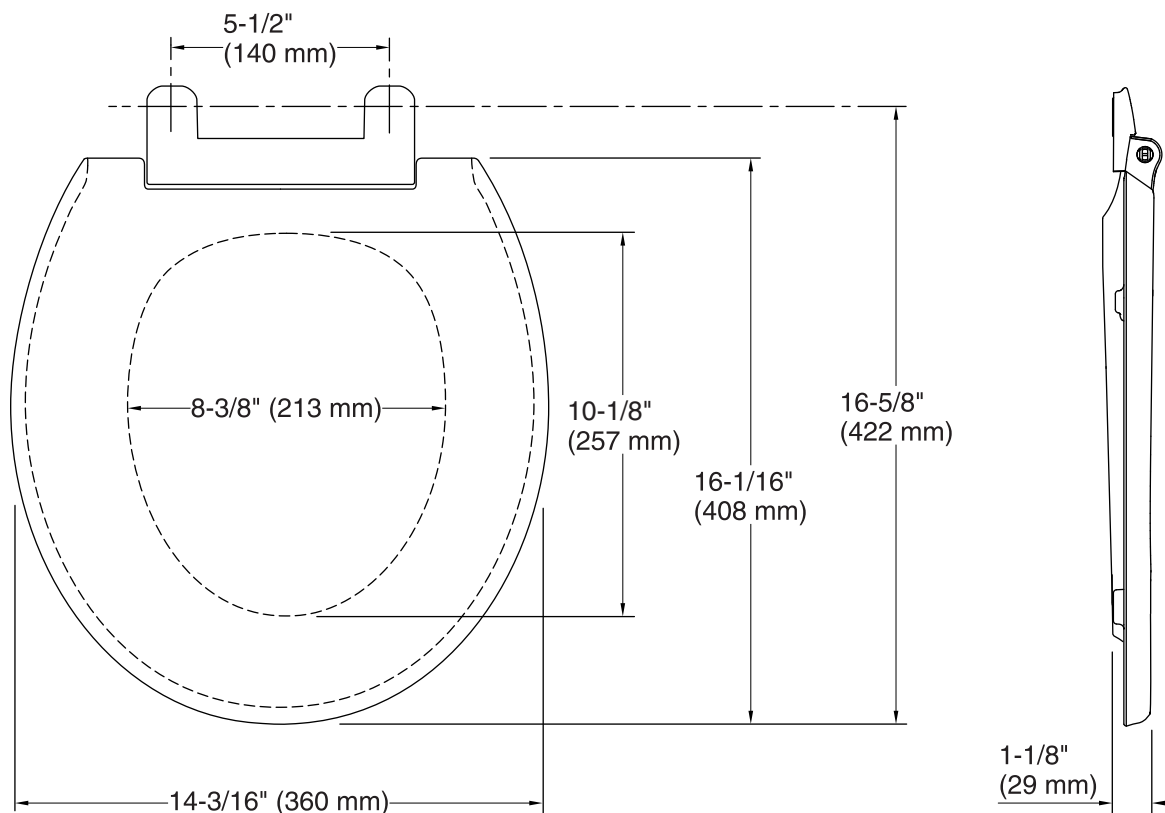
USA/Canada: 1-800-4KOHLER (1-800-456-4537)

Kohler Co. reserves the right to make revisions without notice to product specifications.

For the most current Specification Sheet, go to www.kohler.com.

5-6-2017 08:45

THE BOLD LOOK
OF **KOHLER**®



Technical Information

All product dimensions are nominal.

Seat shape type: Round

Seat front type: Closed front

Seat hinge type: Quick-Attach®, Quick-Release™, Quiet-Close™

Seat-mounting holes: 5-1/2" (140 mm)

Notes

Install this product according to the installation guide.



Thoreau®
Under-mount Bathroom Sink
K-2907-8U

Features

- KOHLER® cast iron.
- Under-mount.
- Oval basin.
- With overflow.
- Can accommodate single-hole center-mount or widespread faucet.
- 8-inch centers.
- 18-1/4" (464 mm) x 11" (279 mm)

Recommended Accessories

K-8998 P-Trap

Components

Additional included component/s: 1193643 Basin Clamps.



ADA **CSA B651** **OBC**

Codes/Standards

ASME A112.19.1/CSA B45.2
ADA
ICC/ANSI A117.1
CSA B651
OBC




**KOHLER® Lifetime Limited Warranty
for Cast Iron Components**

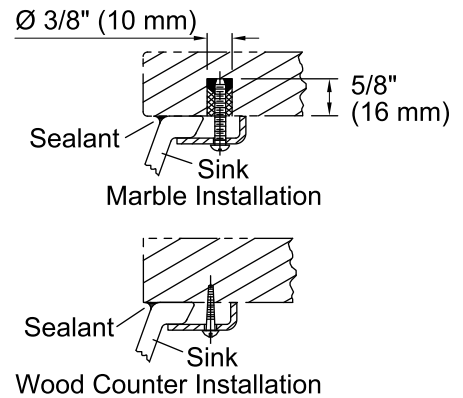
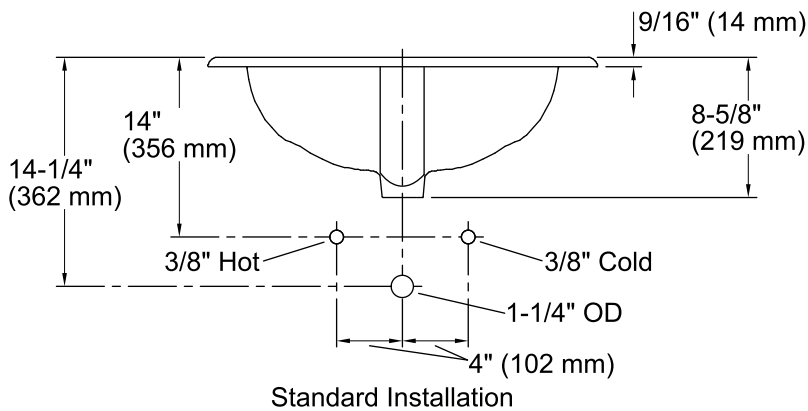
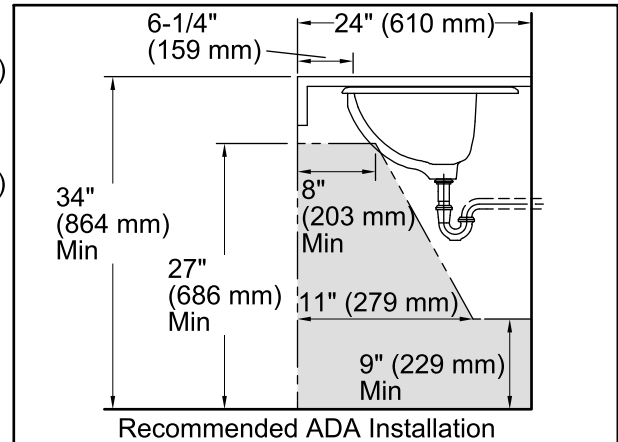
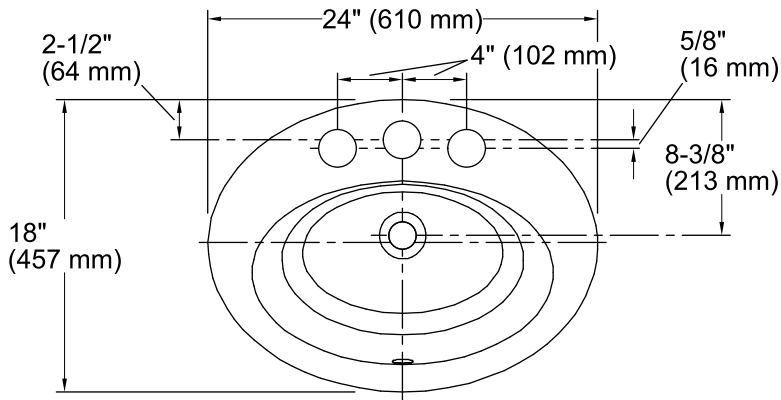
See website for detailed warranty information.

Available Color/Finishes

Color tiles intended for reference only.

Color Code Description

	0	White
	96	Biscuit
	47	Almond



Technical Information

All product dimensions are nominal.

Bowl configuration:	Single
Installation:	Under-mount
Bowl area	Length: 18-1/4" (464 mm) Width: 11" (279 mm) Water depth: 4-3/4" (121 mm)
Number of deck holes:	3
Faucet hole(s):	2-3/8" (60 mm)
Drain hole:	1-3/4" (44 mm)
Template:	114635-7, required, included

Notes

Install this product according to the installation instructions.

ADA, OBC, CSA B651 compliant when installed to the specific requirements of these regulations.

Features

- Vitreous china.
- Wall-mount.
- Oval basin.
- With overflow.
- 8-inch centers.
- Designed for a small space.
- 22" (559 mm) x 18" (457 mm)

Recommended Accessories

- K-7605-P Angle Supply with Stop (pair)
- K-8998 P-Trap

Components

Product includes:

- K-2028-8 Wall-mount Bathroom Sink
- K-2057 Bathroom Sink Shroud

Additional included component/s: Rubber pads, hanger, and shroud accessory pack.



ADA

CSA B651

OBC

Codes/Standards

ASME A112.19.2/CSA B45.1
ADA
ICC/ANSI A117.1
CSA B651
OBC




KOHLER® One-Year Limited Warranty

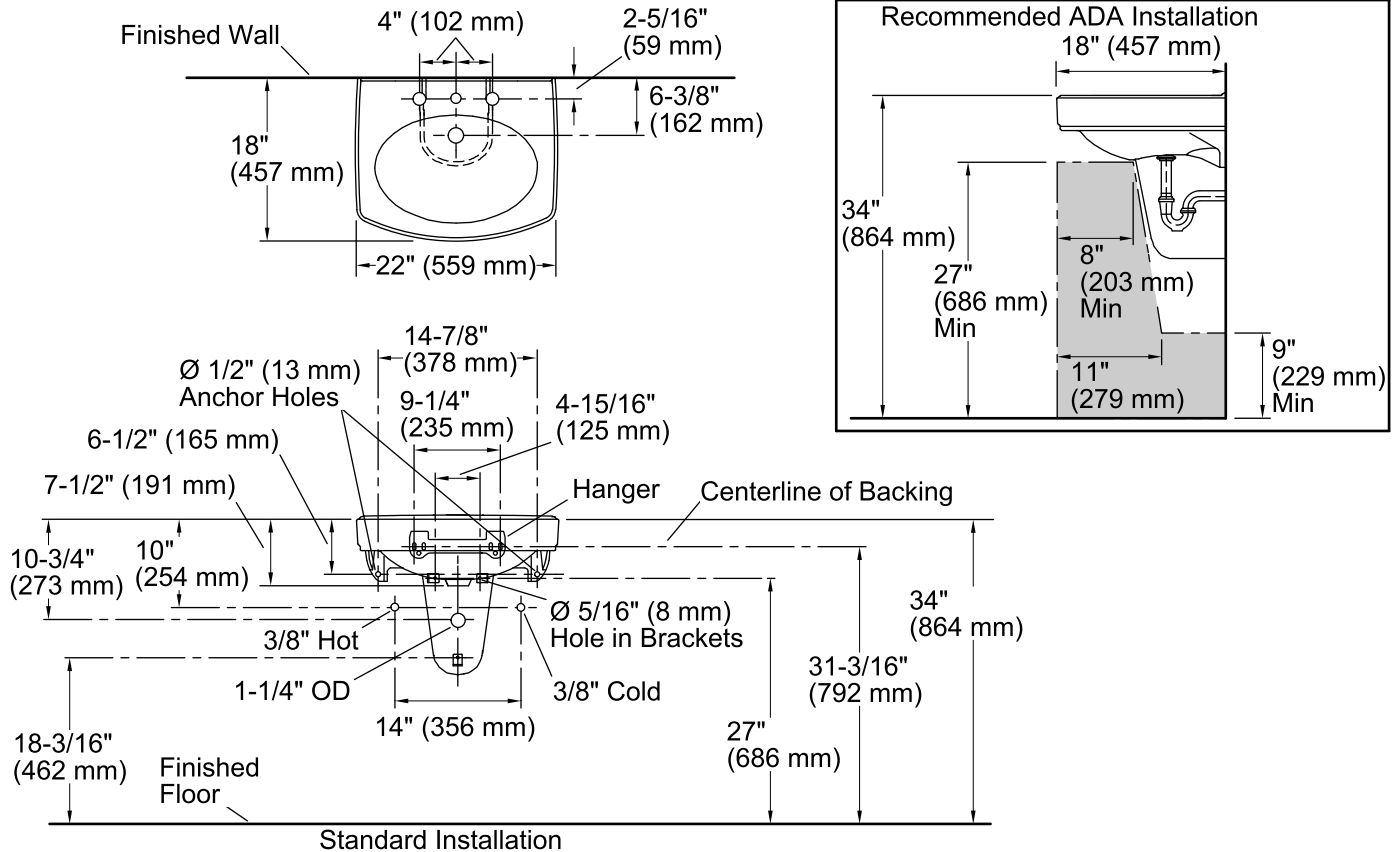
See website for detailed warranty information.

Available Color/Finishes

Color tiles intended for reference only.

Color	Code	Description
-------	------	-------------

	0	White
	96	Biscuit
	47	Almond



Technical Information

All product dimensions are nominal.

- Bowl configuration: Single
 Installation: Wall-mount
 Bowl area (Only) Length: 18" (457 mm)
 Width: 12" (305 mm)
 Water depth: 4" (102 mm)
 Number of deck holes: 3
 Faucet hole(s): 1-3/8" (35 mm)
 Drain hole: 1-3/4" (44 mm)

Notes

- Install this product according to the installation instructions.
 ADA, OBC, CSA B651 compliant when installed to the specific requirements of these regulations.